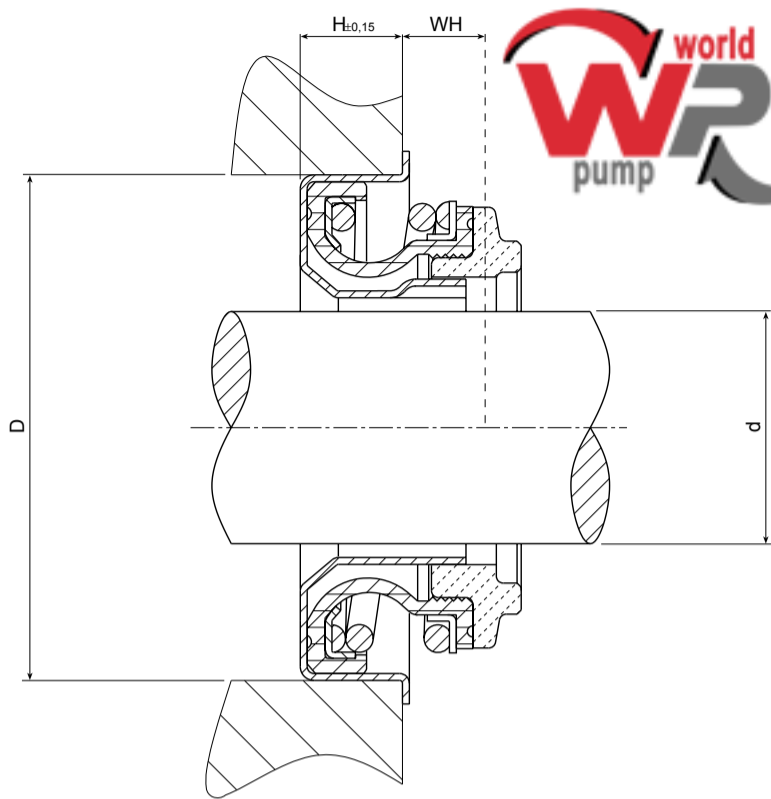


S series



Operational limits - Standard components - DIN 24960

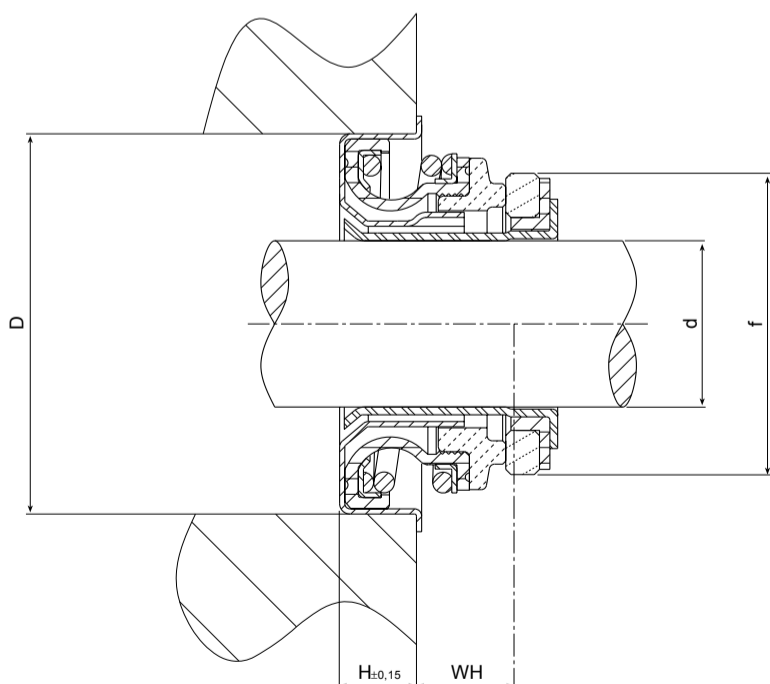
| | |
|---|------------|
| P | 4 bar |
| V | 12 m/s |
| T | -35 +150°C |

| | | | | |
|-------------------|----|----|---|----|
| Metal parts | F1 | F8 | - | - |
| Spring | F | D | - | - |
| Elastomeric parts | P | - | - | P4 |
| Primary Ring | B | - | C | - |
| Mating Ring | - | - | - | - |



| Type | Description | | d | D | WH | H |
|------|-------------|-------|-----|------|---------------|-----|
| S-1 | 14,5 | 30,05 | 6,5 | 13,5 | 29,95÷30,00 | 7 |
| S-2 | 17,5 | 36,6 | 7 | 17 | 36,449÷36,474 | 8,7 |
| S-2a | 17,5 | 36,6 | 7,5 | 17 | 36,449÷36,474 | 8,2 |
| S-3 | 17,5 | 36,6 | 7,5 | 17 | 36,449÷36,474 | 7,4 |
| S-4 | 17,5 | 38,2 | 7,5 | 17 | 38,08÷38,10 | 8,2 |
| S-4a | 17,5 | 38,2 | 6,2 | 17 | 38÷38,10 | 8,2 |
| S-5a | 19 | 40 | 6,5 | 19 | 39,90÷40,03 | 9,6 |

U series



Operational limits - Standard components - DIN 24960

| | |
|---|------------|
| P | 4 bar |
| V | 12 m/s |
| T | -35 +150°C |

| | | | | |
|-------------------|----|----|---|---|
| Metal parts | F1 | - | - | - |
| Spring | F | - | - | - |
| Elastomeric parts | P | P4 | E | - |
| Primary Ring | V | - | C | - |
| Mating Ring | C | - | Q | V |



| Type | Description | | d | D | WH | H | f | M | A | |
|------|-------------|------|------|-----------|--------------|----------|-----|--------|----------|----------|
| U-4 | 15 | 36,6 | 12,8 | 15÷14,987 | 36,449÷36474 | 12,8±0,1 | 8,2 | 29±0,3 | - | 7792363 |
| U-11 | 16 | 36,6 | 12,8 | 15,90÷16 | 36,449÷36474 | 12,8±0,1 | 8,2 | 29±0,3 | 60600566 | 46468533 |
| U-14 | 15 | 36,6 | 11,5 | 15,90÷16 | 36,449÷36474 | 12,8±0,1 | 8,2 | 29±0,3 | - | - |
| U-15 | 16 | 36,6 | 11,5 | 15,90÷16 | 36,449÷36474 | 12,8±0,1 | 8,2 | 29±0,3 | - | - |