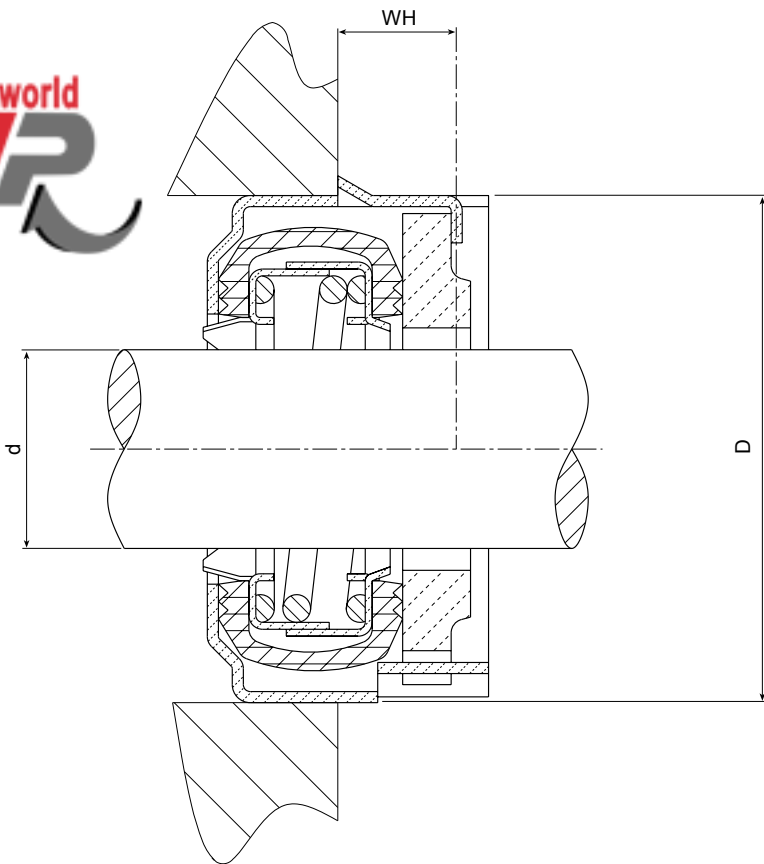


T2 series



Operational limits - Standard components - DIN 24960	
P	4 bar
V	12 m/s
T	-35 +120°C

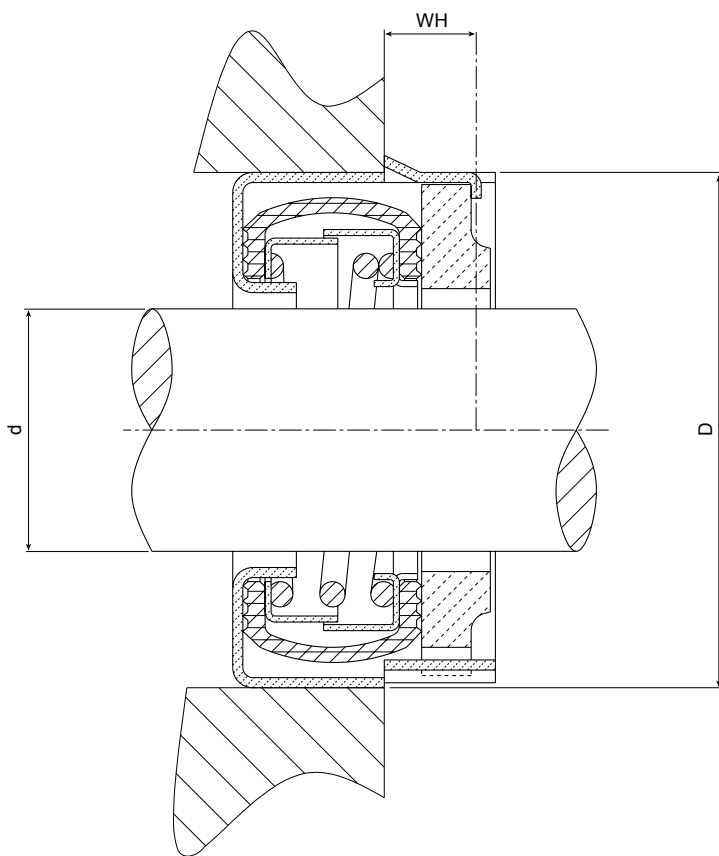
Metal parts	T1	-	-	-
Spring	D	F	-	-
Elastomeric parts	P	-	-	-
Primary Ring	B	-	-	-
Mating Ring	-	-	-	-



M - MTU code: initial installation A - Alternative code: initial installation

Type	Description			d	D	WH	M	A
T2-2	16	36,6	7,5	16	36,449÷36,474	7,5±0,5	19391210000000 554193 4752546	105440723700 116080723701 4706880

T3 series



Operational limits - Standard components - DIN 24960	
P	4 bar
V	12 m/s
T	-35 +120°C

Metal parts	T1	-	-	-
Spring	F	D	-	-
Elastomeric parts	P	-	-	-
Primary Ring	B	-	-	-
Mating Ring	-	-	-	-



M - MTU code: initial installation A - Alternative code: initial installation

Type	Description			d	D	WH	M	A
T3-3	20	43	8	20	42,83÷42,86	8±0,4	4723891	4603870
T3-5	25	51	8,3	25	50,80÷50,83	8,3±0,8	4757006	4606031