

AX05

Mechanical seals | Mechanical seals for pumps | Elastomer bellows seals



Advantages

- Stationary springs
- Low space requirements
- Frictionally torque transmission
- Springs protected from the product
- Simple mounting

Operating range

Shaft diameter: $d_1 = \dots 65 \text{ mm (2.56")}$

Pressure: $p_1 = 0.3 \text{ bar (4.35 PSI)}$

Temperature:

$t = -20 \text{ °C } \dots 100 \text{ °C (-4 °F } \dots 212 \text{ °F)}$

Sliding velocity: $v_g = 10 \text{ m/s (33 ft/s)}$

Features

- Unbalanced
- Independent on direction of rotation

Materials

Seal face: Carbon graphite resin impregnated (B)

Secondary seals: NBR (P)

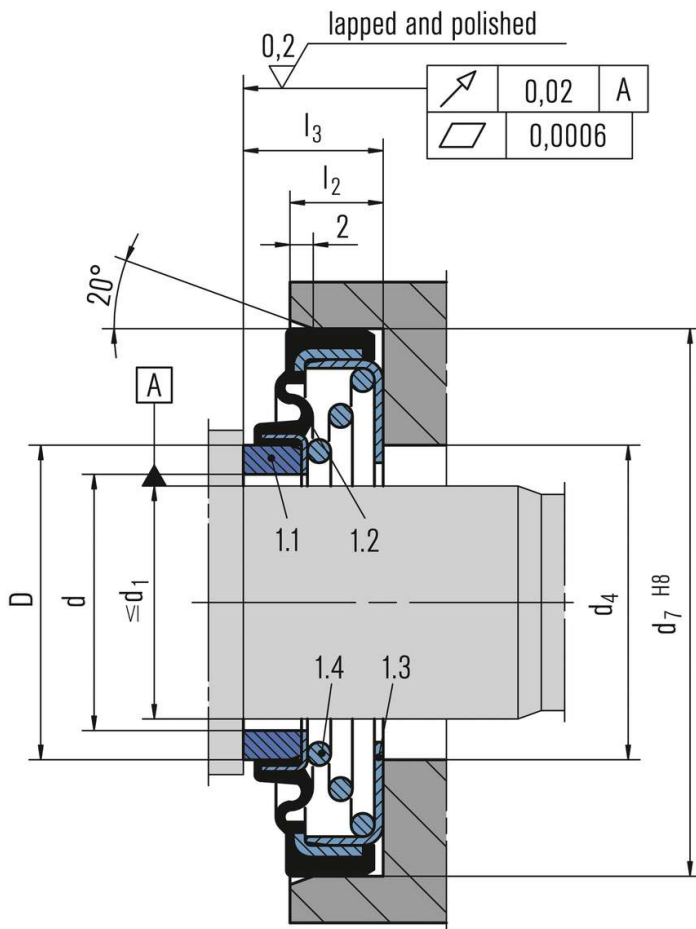
Springs: CrNi steel (F)

Metal parts: CrNi steel (F)

Recommended applications

- Process industry
- Oil and gas industry
- Refining technology
- Petrochemical industry
- Chemical industry
- Pharmaceutical industry
- Power plant technology
- Pulp and paper industry
- Water and waste water technology
- Mining industry
- Building services industry
- Food and beverage industry
- Shipbuilding
- Sugar industry
- Metal production and processing

RELY ON EXCELLENCE



Item Description

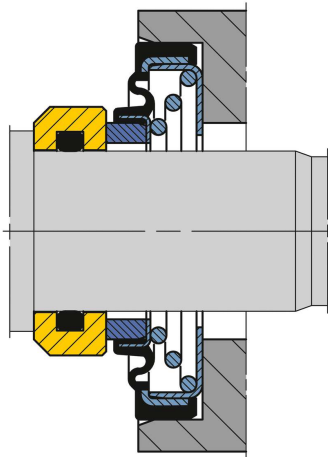
- 1 Seal unit
- 1.1 Seal ring
- 1.2 Bellows
- 1.3 Profiled sheet
- 1.4 Spring

All technical specifications are based on extensive tests and our many years of experience. The diversity of possible applications, however, means that they can serve only as guide values.

We must be notified of the exact conditions of application before we can provide any guarantee for a specific case. This is subject to change.

RELY ON EXCELLENCE

Installation, details, options



Mating ring variant with O-Ring.

Dimensions

d1	Type	d	D	L3	d7	d4	L2
20	AX05-022	22	27	18	42	28	12
25	AX05-027	27	32	12	52	32	8
30	AX05-032	32	37	12	57	37	8
35	AX05-037	37	42	12	62	42	8
40	AX05-042	42	47.5	12	68	47	10
45	AX05-047	47	53	13	75	52	10
50	AX05-052	52	58	13	80	57	10
55	AX05-057	57	65	14	90	62	12
65	AX05-067	67	75	16	100	72	10

Dimensions in millimeter

All technical specifications are based on extensive tests and our many years of experience. The diversity of possible applications, however, means that they can serve only as guide values.

We must be notified of the exact conditions of application before we can provide any guarantee for a specific case. This is subject to change.