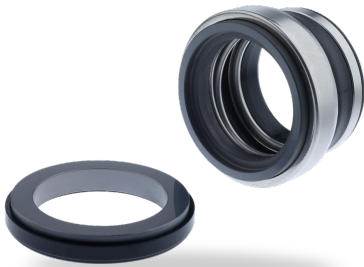


## BT-ARP

### EagleBurgmann BT Mechanical seals



#### Features

- Rubber bellows mechanical seal
- Independent of direction of rotation
- Single spring, product-protected
- Unbalanced

#### Advantages

BT-ARP mechanical seals are the ideal solution for media which contain solids or are highly viscous. The spring is product-protected, thus preventing sticking or clogging. Reliable for rugged operation in all kind of applications such as waste water treatment. The dimensions can be adapted and additional seats are available. The bellows provides protection across the entire seal length.

#### Operating range

Shaft diameter:  
 $d1^{**} = 20 \dots 40 \text{ mm (0.79" ... 1.57")}$   
 Pressure:  $p1^* = 6 \text{ bar (87 PSI)}$   
 Temperature:  
 $t^* = -20 \text{ °C ... } +90 \text{ °C (-4 °F ... } +194 \text{ °F)}$   
 Sliding velocity:  $v_g = 10 \text{ m/s (33 ft/s)}$

\* Dependent on medium, size and materials

\*\* Other diameters upon request

#### Materials

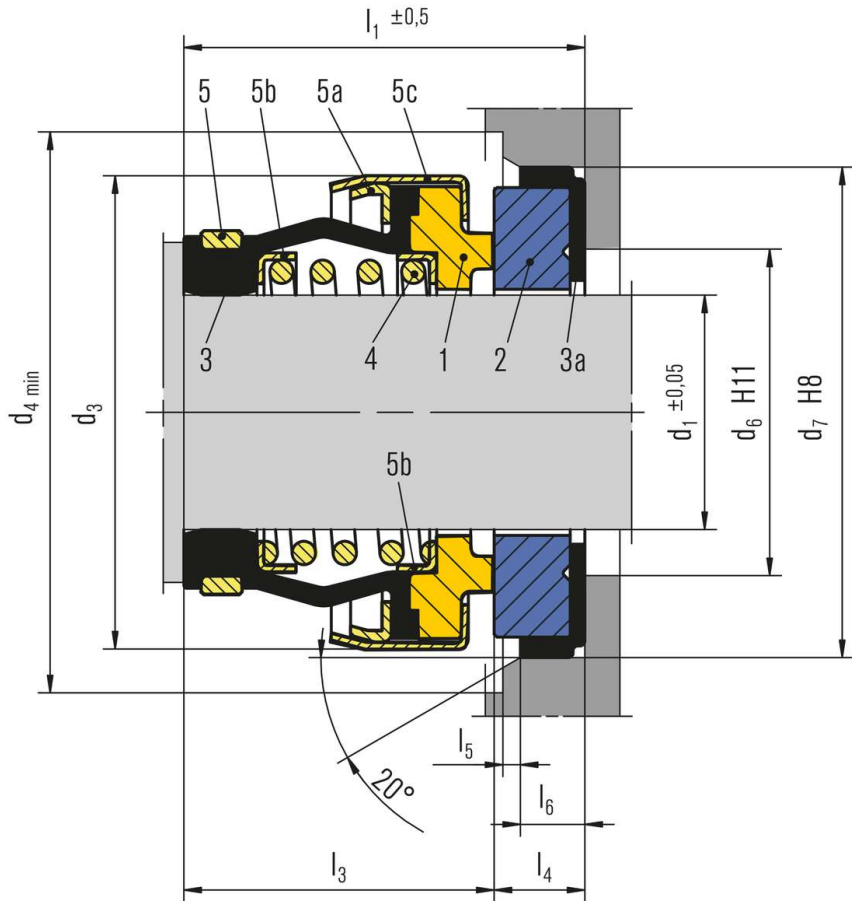
Seal face\*: Silicon carbide (Q1, Q6),  
 Tungsten carbide (U)  
 Seat: Silicon carbide (Q1, Q6, Q7),  
 Tungsten carbide (U)  
 Elastomers:  
 NBR (P), FKM (V), HNBR (X4)  
 Metal parts:  
 CrNi steel 1.4301 (F), CrNiMo steel 1.4401 (G)

\* Seal face available in solid or shrink fit/  
 brazed version

#### Recommended applications

- Water and waste water technology
- Slurry applications
- Submersible pumps

## RELY ON EXCELLENCE

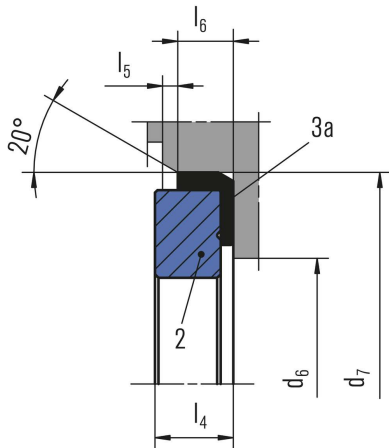


### Item Description

- 1 Seal face housing
- 2 Stationary seat
- 3 Bellows
- 3a Gasket
- 4 Spring
- 5 Drive ring
- 5a Locking ring
- 5b L-ring
- 5c Collar

## RELY ON EXCELLENCE

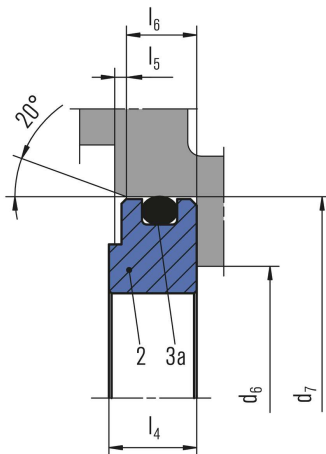
### Seat alternatives



#### PF C

##### Item Description

- 2 Stationary seat
- 3a Gasket



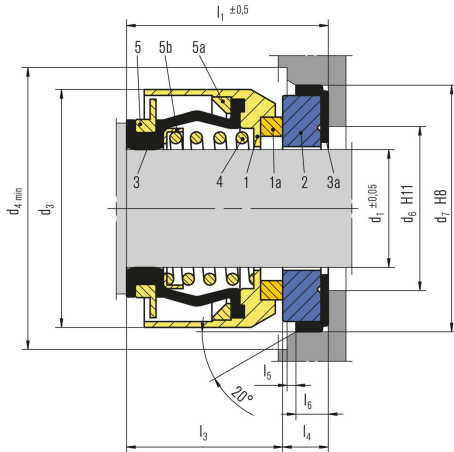
#### PF A

##### Item Description

- 2 Stationary seat
- 3a O-Ring

## RELY ON EXCELLENCE

### Product variants



#### BT-ARPs

Special design - super protected  
(upon request)

#### Item Description

- 1 Seal face
- 1a Shrink fitted seal face
- 2 Stationary seat
- 3 Bellows
- 3a Gasket
- 4 Spring
- 5 Drive ring
- 5a Locking ring
- 5b L-ring

### Dimensions

d <sub>1</sub>	d <sub>3</sub>	d <sub>4</sub>	d <sub>6</sub>	d <sub>7</sub>	l <sub>1</sub>	l <sub>3</sub>	l <sub>4</sub>	l <sub>5</sub>	l <sub>6</sub>
20	39	43	29	35	29.0	21.5	7.5	2	5
22	42	47	31	37	29.0	21.5	7.5	2	5
25	45	50	34	40	30.5	23.0	7.5	2	5
30	50	56	39	45	34.0	26.5	7.5	2	5
35	56	62	44	50	36.0	28.5	7.5	2	5
40	60	70	51	58	39.0	30.0	9.0	2	6

BT-ARP - Dimensions in millimeter