

BT-FH Balanced

EagleBurgmann BT Mechanical seals



Features

- Single pusher-type seal
- Balanced
- Dependent on direction of rotation
- Conical spring
- Length according to EN 12756
- Version NB (normal length, balanced L_{1NB})

Advantages

The BT-FH mechanical seal range has been designed for universal application and is ideally suited for standardization. It is a cost-effective version of a balanced seal with the added advantage of only having to replace the wearing faces during overhauls. Installation length in accordance with EN 12756 (L_{1NB}).

Operating range

Shaft diameter:
d1 = 16 ... 70 mm (0.63" ... 2.76")
Pressure: p1* = 25 bar (363 PSI)
Temperature:
t* = -35 °C ... +180 °C (-31 °F ... +356 °F)
Sliding velocity: vg = 15 m/s (49 ft/s)

* Dependent on medium, size and material

Materials

Seal face: Silicon carbide (Q1)
Seat: Carbon graphite resin impregnated (B), Carbon graphite, full carbon (B3), Carbon graphite antimony impregnated (A), Silicon carbide (Q1)
Elastomers: NBR (P), EPDM (E), FKM (V), FFKM (K)
Metal parts: CrNiMo steel (G)

Standards and approvals

- KTW
- W270
- ACS
- WRAS
- NSF
- FDA
- DM 174/04

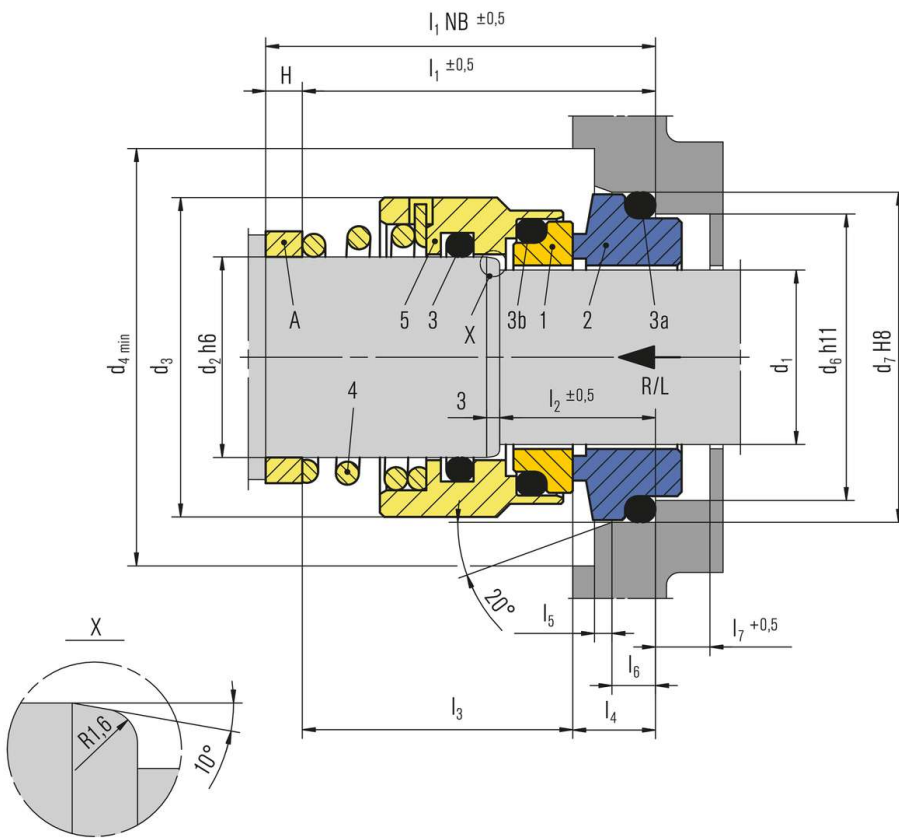
Notes

Seat ring of alternative seats can be supplied with short tail or with pin to block the seat and prevent seat rotation.

Recommended applications

- Chemical industry
- Building services industry
- Centrifugal pumps
- Clean water pumps

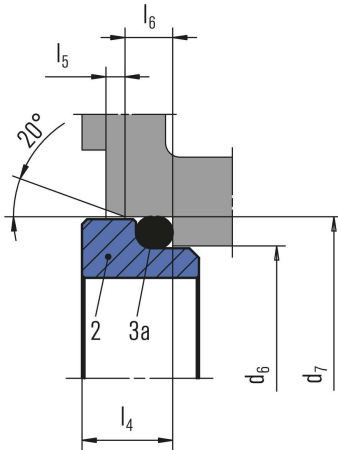
RELY ON EXCELLENCE



Item	Description
1	Seal face
2	Stationary seat
3, 3a, 3b	O-Ring
4	Spring
5	Collar
A	Spacer (upon request)

RELY ON EXCELLENCE

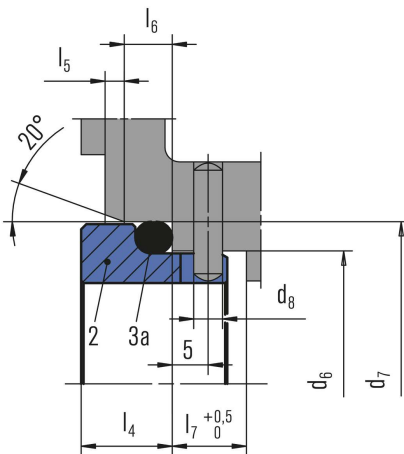
Seat alternatives



PFL

Item Description

- 2 Stationary seat
- 3a O-Ring



PFL1

Item Description

- 2 Stationary seat
- 3a O-Ring

Product variants

BT-FH.NB DV

The BT-FH.NB DV is a variant of the BT-FH.NB with a vertical pin for torque transmission in the conical spring. Same installation length as BT-FH.NB, in accordance with EN 12756 (L_{1NB}).

RELY ON EXCELLENCE

Dimensions

d ₁	d ₂	d ₃	d ₄	d ₆	d ₇	d ₈	l _{1NB}	H	l ₁	l ₂	l ₃	l ₄	l ₅	l ₆	l ₇
16	20	34	36	23	27	3	55	8	47	18	40	7	1.5	4	8.5
18	22	36	38	27	33	3	55	4	51	20	41	10	2.0	5	9.0
20	24	38	40	29	35	3	60	7	53	20	43	10	2.0	5	9.0
22	26	40	42	31	37	3	60	7	53	20	43	10	2.0	5	9.0
24	28	42	44	33	39	3	60	-	60	20	50	10	2.0	5	9.0
25	30	44	46	34	40	3	60	-	60	20	50	10	2.0	5	9.0
28	33	47	49	37	43	3	65	-	65	20	55	10	2.0	5	9.0
30	35	49	51	39	45	3	65	-	65	20	55	10	2.0	5	9.0
32	38	54	58	42	48	3	65	-	65	20	55	10	2.0	5	9.0
33	38	54	58	42	48	3	65	-	65	20	55	10	2.0	5	9.0
35	40	56	60	44	50	3	65	-	65	20	55	10	2.0	5	9.0
38	43	59	63	49	56	4	75	-	75	23	62	13	2.0	6	9.0
40	45	61	65	51	58	4	75	-	75	23	62	13	2.0	6	9.0
43	48	64	68	54	61	4	75	-	75	23	63	13	2.0	6	9.0
45	50	66	70	56	63	4	75	-	75	23	62	13	2.0	6	9.0
48	53	69	73	59	66	4	85	-	85	23	72	13	2.0	6	9.0
50	55	71	75	62	70	4	85	-	85	25	71	14	2.5	6	9.0
53	58	78	83	65	73	4	85	-	85	25	71	14	2.5	6	9.0
55	60	80	88	67	75	4	85	-	85	25	71	14	2.5	6	9.0
58	63	83	85	70	78	4	85	-	85	25	71	14	2.5	6	9.0
60	65	85	90	72	80	4	95	-	95	25	81	14	2.5	6	9.0
63	68	88	93	75	83	4	95	-	95	25	81	14	2.5	6	9.0
65	70	90	95	77	85	4	95	-	95	25	81	14	2.5	6	9.0
70	75	99	104	83	92	4	95	-	95	28	79	16	2.5	7	9.0

BT-FH.NB Balanced - Dimensions in millimeter

l_{1NB} complies with EN 12756 (normal length, balanced)