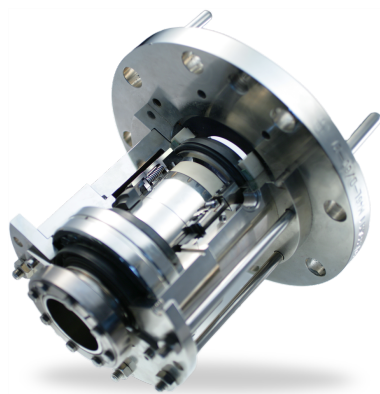


## SeccoMix 461

Mechanical seals | Agitator seals | Dry running seals



### Features

- For top entry drives
- For glass-lined vessels acc. to DIN resp. Non-DIN
- Dry running
- Nitrogen pressurized dual seal
- Balanced
- Multiple springs rotating
- Independent of direction of rotation

### Advantages

- Ready-to-fit and factory-tested unit
- With or without bearing available
- Suitable for pressure reversal e.g. in case of barrier pressure failure
- No contamination of the product by barrier fluid
- Friction-locked connection to the shaft
- Connections to DIN 28138 standards or as required (SeccoMix 491)
- ATEX certification available on request
- The seal can be lifted off the glass-lined flange as a complete cartridge. The sensitive glass-lined basic flange remains mounted on the vessel.

### Operating range

Shaft diameter:

$d_1 = 40 \dots 160 \text{ mm (1.57" } \dots \text{ 6.3")}$

Pressure:  $p_1 = \text{vacuum } \dots \text{ 6 bar (87 PSI)}$

Temperature:  $t_1 = -20 \text{ }^\circ\text{C } \dots \text{ +200 (250*) }^\circ\text{C}$

$(-4 \text{ }^\circ\text{F } \dots \text{ +392 (482*) }^\circ\text{F}$

Sliding velocity:  $v_g = 0 \dots 2 \text{ m/s (0 } \dots \text{ 6 ft/s)}$

For applications beyond this range, please inquire.

\* with cooling flange

! It should be noted that the extremal values of each operating parameter cannot be applied at the same time because of their interaction.

### Materials

Seal face: Carbon graphite, FDA conform

Seat: Silicon carbide, FDA conform

Secondary seals and metal parts according to application and customer's specifications.

### Standards and approvals

- FDA
- ATEX
- DIN 28138 (mechanical seals for agitator shafts)
- DIN 28136 T3 (for glass-lined vessels)
- DIN 28137 T2 (flange connection for glass-lined vessels)
- DIN 28159 (shaft end for glass-lined vessels)

### Notes

Options:

- Cooling or heating flange

### Recommended applications

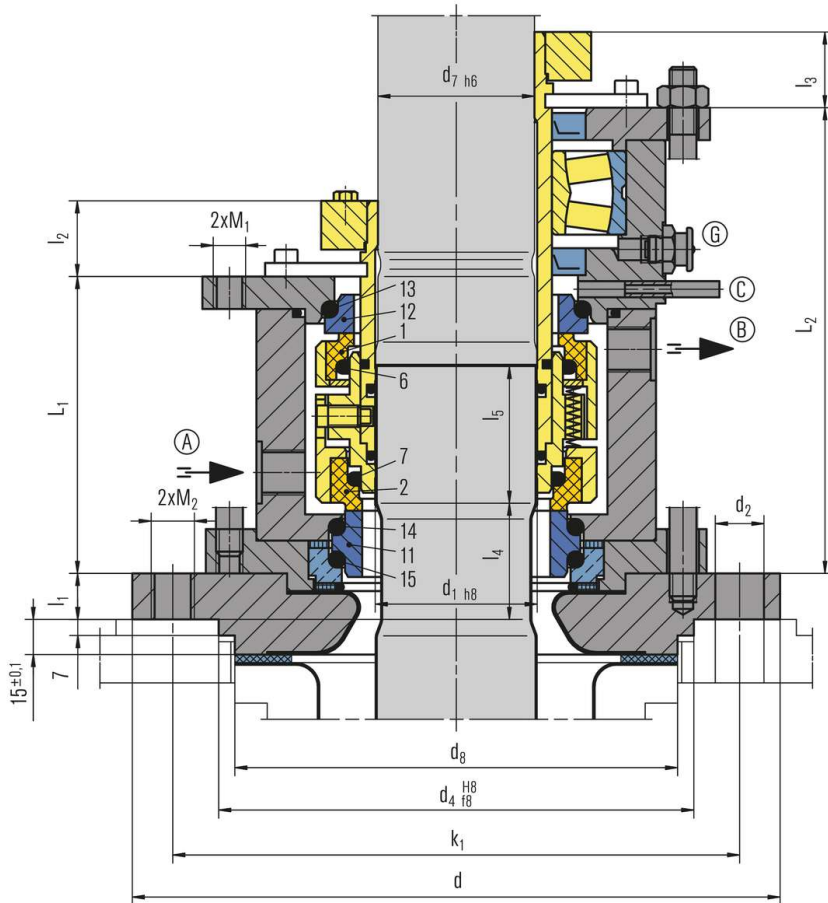
- Refining technology
- Petrochemical industry
- Chemical industry
- Pharmaceutical industry
- Food and beverage industry
- Agitators
- Mixers
- Reactors

### Recommended piping plans

Gas supply

EagleBurgmann GSS4015/A400-D0 for double seals SeccoMix 461...D..

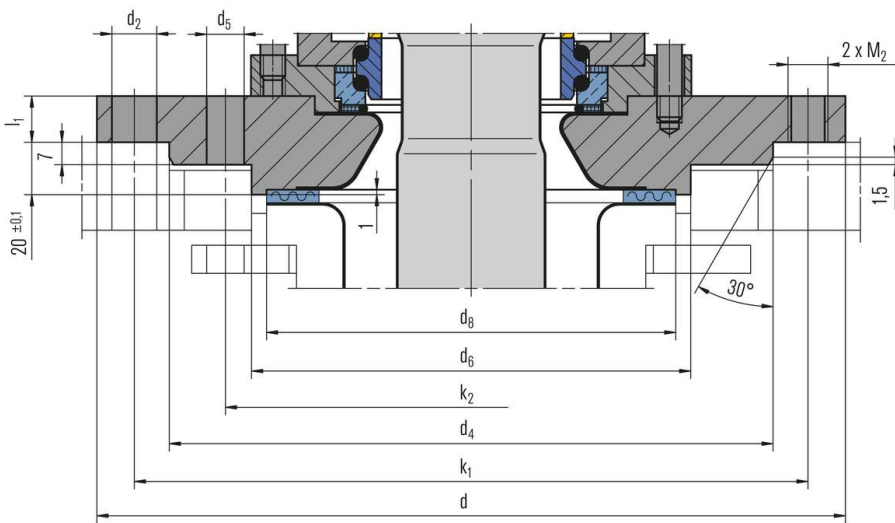
## RELY ON EXCELLENCE



Item	Description
1	Seal face, atmosphere side
2	Seal face, product side
6, 7, 13, 14, 15	O-Ring
11	Seat, product side
12	Seat, atmosphere side

## RELY ON EXCELLENCE

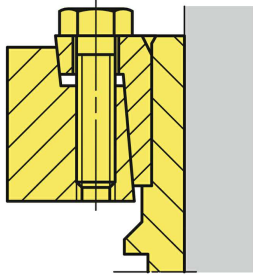
Flange connection acc. to DIN 28137 T2.



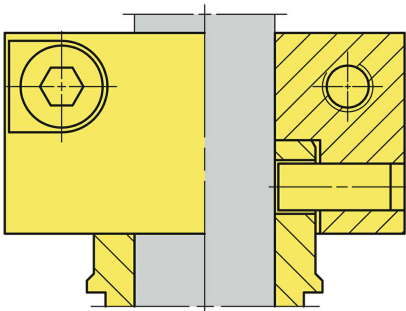
RELY ON EXCELLENCE

## Torque transmissions

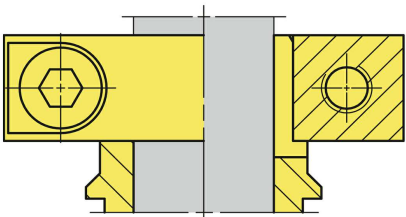
Shrink disk



Clamping ring with pin

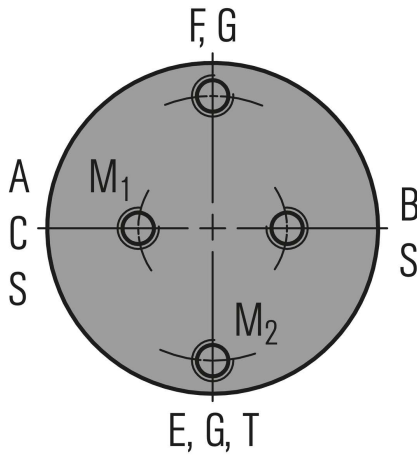


Clamping ring



## RELY ON EXCELLENCE

### Installation, details, options



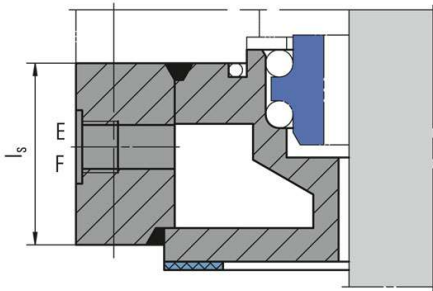
#### Supply connections

Designation and positions acc. to DIN 28138 T3.

- A Barrier gas IN
- B Barrier gas OUT
- C Drainage
- E Cooling IN
- F Cooling OUT
- G Grease
- S Flush
- T Temperature metering

#### Cooling flange

Can be used alternatively as a heating flange.



### Product variants

#### SeccoMix 461-D

Dual seal

#### SeccoMix 461L-D

Dual seal with integrated floating bearing.

#### SeccoMix 491

Seal designation for adaptations beyond DIN (e.g. unstepped shaft).

## RELY ON EXCELLENCE

### Dimensions

d <sub>1</sub> <sup>1)</sup>	d <sub>7</sub> <sup>1)</sup>	Nominal size	Flange size <sup>2)</sup>	d	nxd <sup>2</sup>	d <sub>4</sub>	nxd <sub>5</sub>	d <sub>6</sub>	d <sub>7</sub>	k <sub>1</sub>	k <sub>2</sub>	L <sub>1</sub>	L <sub>2</sub>	l <sub>1</sub>	l <sub>2</sub>	l <sub>3</sub>	l <sub>4</sub>	l <sub>5</sub>	M <sub>1</sub>	M <sub>2</sub>	A,B
40	38	40	E125	175	4x18	110	-	-	102	145	-	142	184	25	35	28	50	50	M12	M16	G3/8
50	48	50	E200	240	8x18	176	-	-	138	210	-	147	195	25	40	28	50	50	M12	M16	G3/8
60	58	60	E250	275	8x22	204	-	-	188	240	-	158	203	25	42	28	50	60	M12	M20	G3/8
80	78	80	E300	305	8x22	234	-	-	212	270	-	170	240	30	45	34	60	60	M16	M20	G1/2
100	98	100	E400	395	12x22	313	-	-	268	350	-	177	240	30	52	34	60	60	M16	M20	G1/2
100	98	100	E500	395	12x22	313	-	-	268	350	-	177	240	30	52	34	60	60	M16	M20	G1/2
125	120	125	E700	505	4x22	422	12x22	320	306	460	350	208	266	30	75	40	60	80	M20	M20	G1/2
140	135	140	E700	505	4x22	422	12x22	320	306	460	350	223	282	30	79	40	60	80	M20	M20	G1/2
160	150	160	E700	505	4x22	422	12x22	320	306	460	350	228	282	30	77	40	60	85	M20	M20	G1/2
160	150	160	E900	505	4x22	422	12x22	320	306	460	350	228	282	30	77	40	60	85	M20	M20	G1/2
160	150	161	E901	565	4x26	474	12x22	370	356	515	400	228	282	30	77	40	60	85	M20	M20	G1/2

Dimensions in millimeter

1) Shaft diameters d<sub>1</sub> and d<sub>7</sub> to DIN 28159

2) Flange size to DIN 28137 T2