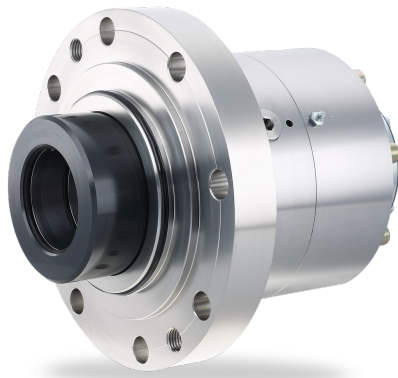


RELY ON EXCELLENCE

SeccoMix R

Mechanical seals | Agitator seals | Dry running seals



Features

- For top, side and bottom entry drives
- Dry running
- Nitrogen pressurized dual seal
- Rotating seat at product side
- Balanced
- Independent of direction of rotation

Advantages

- Ready-to-fit and factory-tested units
- With or without bearing available
- Smooth surface, free of dead spaces
- No contamination of the product by barrier fluid
- Friction-locked connection to the shaft
- ATEX certification available on request

Operating range

Shaft diameter:
 $d_1 = 35 \dots 220 (300) \text{ mm} (1.38" \dots 8.66" (11.81"))$
 Axial offset shaft/housing: $d_1 = 35 \dots 60 \text{ mm}$
 $(1.38" \dots 2.36")$: max. $\pm 1.5 \text{ mm} (0.059")$
 $d_1 > 60 \text{ mm} (2.36")$: max. $\pm 2.0 \text{ mm} (0.079")$
 Radial offset shaft/housing:
 max. $\pm 0.3 \text{ mm} (0.012")$
 Pressure: $p_1 = \text{Vacuum} \dots 6 \text{ bar} (87 \text{ PSI})$
 Temperature:
 $t_1 = -20 \text{ }^\circ\text{C} \dots +200 \text{ }^\circ\text{C} (-4 \text{ }^\circ\text{F} \dots +392 \text{ }^\circ\text{F})$
 Sliding velocity: $v_g = 0 \dots 2 \text{ m/s} (0 \dots 6 \text{ ft/s})$

For applications beyond this range, please inquire.

! It should be noted that the extremal values of each operating parameter cannot be applied at the same time because of their interaction.

Materials

Seal face: Carbon graphite, FDA conform
 Seat: Silicon carbide, FDA conform
 Secondary seals and metal parts according to application and customer's specifications.

Standards and approvals

- FDA
- ATEX

Notes

Options:

- Axial bellows expansion joint (shaft movement)
- Scraper (shaft movement)

Recommended applications

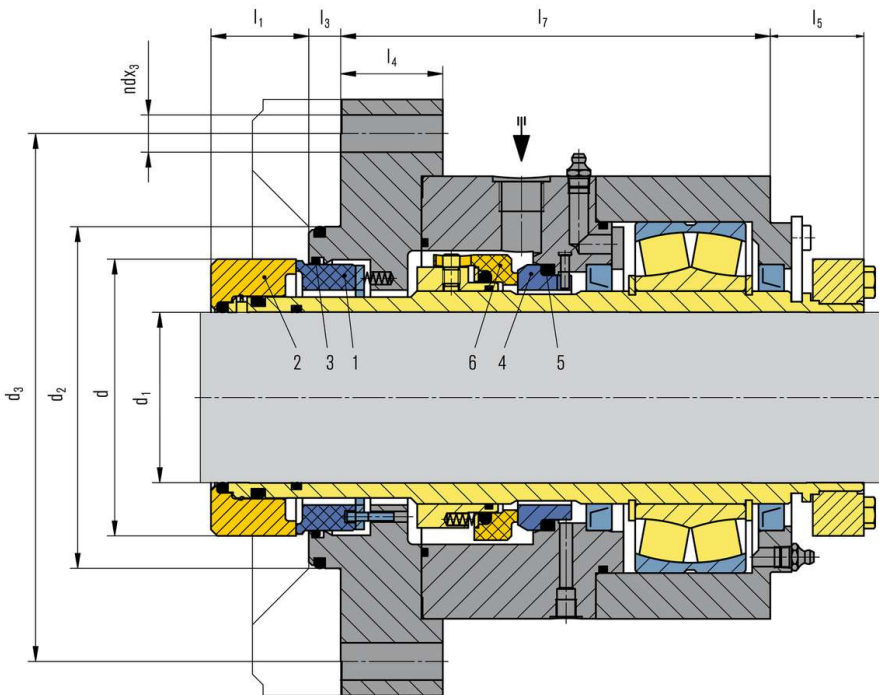
- Refining technology
- Petrochemical industry
- Chemical industry
- Pharmaceutical industry
- Food and beverage industry
- Agitators
- Mixers
- Kneaders
- Dryers
- Reactors

Recommended piping plans

Gas supply

EagleBurgmann GSS4015/A400-D0
 for double seals SeccoMix R

RELY ON EXCELLENCE

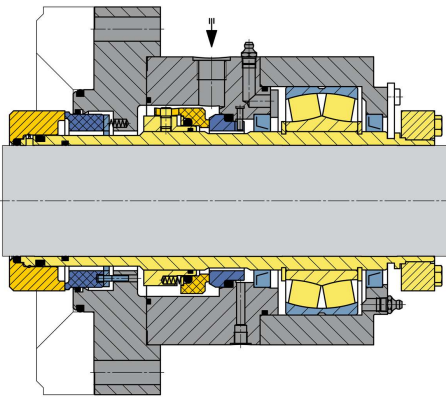


Item Description

- | | |
|---|----------------------------|
| 1 | Seal face, product side |
| 2 | Seat, product side |
| 3 | O-Ring, dynamic |
| 4 | Seat, atmosphere side |
| 5 | O-Ring |
| 6 | Seal face, atmosphere side |

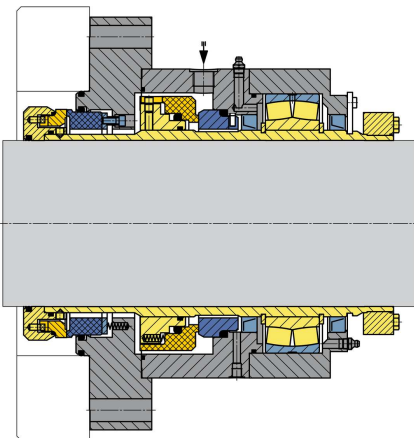
RELY ON EXCELLENCE

Product variants



SeccoMix R3

Dual seal with solid seat and integrated floating bearing $d_1 \leq 140$ mm (5,51").
As an option with fixed bearing or without bearing available.



SeccoMix R5

Dual seal with „hook-sleeve“ and integrated floating bearing $d_1 > 140$ mm (5,51").
As an option with fixed bearing or without bearing available.

Dimensions

d_1	d	l_1	d_2	l_3	d_3	$n \times d_3$	l_4	l_5	l_7
35	68	43	105	13	148	8 x 13.5	35.5	20.5	141.0
45	82.7	43	119.5	13	166	8 x 13.5	43.0	26.0	149.5
50	90.0	43	119.5	13	190	8 x 17.5	40.5	28.5	165.0
60	100.0	43	134.5	14	200	8 x 17.5	41.0	28.0	173.0
80	130.0	46	160.5	15	248	8 x 17.5	48.0	34.0	212.0
100	150.0	49	181.5	12	264	8 x 22.0	54.0	33.5	219.0
120	172.0	49	209.5	12	293	8 x 22.0	52.0	40.0	232.0
140	195.0	49	224.5	12	338	12 x 22.0	52.0	39.5	251.5

Dimensions in millimeter