



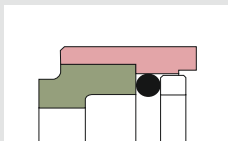
R-H12N

Equivalent to Burgmann H12N/H17GN

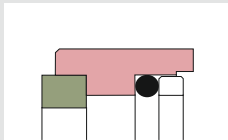
Temperature: $-40^{\circ}\text{C} \sim 220^{\circ}\text{C}$
 Pressure: $\leq 2.5 \text{ MPa}$
 Velocity: $\leq 15 \text{ m/s}$

Температура: $-40^{\circ}\text{C} \sim 220^{\circ}\text{C}$
 Давление: $\leq 2.5 \text{ МПа}$
 Скорость: $\leq 15 \text{ м/сек}$

1 Вращающееся кольцо

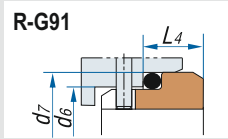


Carbon



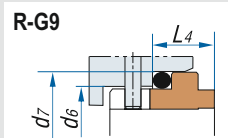
SiC

2 Неподвижное кольцо



R-G91

SiC/SUS/Ceramic



R-G9

Carbon

3 Сильфон

- Silicone-Rubber: **SILICONE**
- Ethylene-Propylene: **EPDM**
- Fluorocarbon: **VITON**

4 Пружина

SUS304 / SUS316.



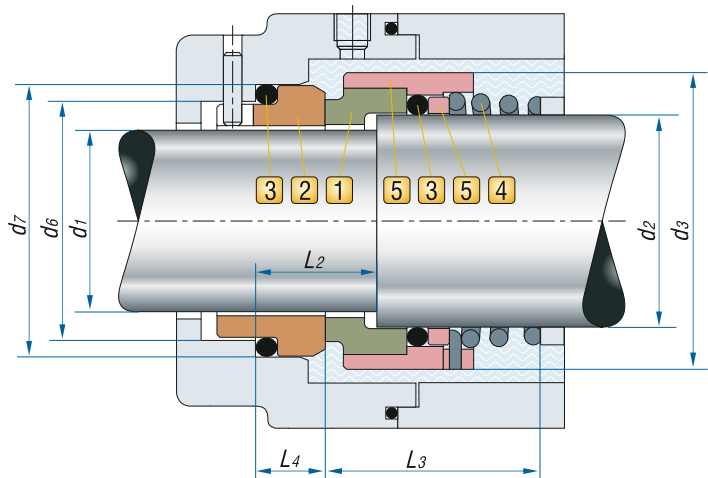
Left / Левая: L



Right / Правая: R

5 Металлические части

SUS304



R-H12N

	d1	d2 (h6)	d3 (Max)	d6	d7 (H8)	L2	L3 (±0.5)	L4
R-H12N-12	12	16	26	19	23	18	26.5	10.0
R-H12N-14	14	18	31	21	25	18	29.5	10.0
R-H12N-16	16	20	34	23	27	18	31.0	10.0
R-H12N-18	18	22	36	27	33	20	32.5	11.5
R-H12N-20	20	24	38	29	35	20	32.5	11.5
R-H12N-22	22	26	40	31	37	20	32.5	11.5
R-H12N-24	24	28	42	33	39	20	32.5	11.5
R-H12N-25	25	30	44	34	40	20	33.5	11.5
R-H12N-28	28	33	47	37	43	20	35.5	11.5
R-H12N-30	30	35	49	39	45	20	35.5	11.5
R-H12N-32	32	38	54	42	48	20	39.5	11.5
R-H12N-33	33	38	54	42	48	20	39.5	11.5
R-H12N-35	35	40	56	44	50	20	43.5	11.5
R-H12N-38	38	43	59	49	56	23	46.0	14.0
R-H12N-40	40	45	61	51	58	23	48.0	14.0
R-H12N-43	43	48	64	54	61	23	51.0	14.0
R-H12N-45	45	50	66	56	63	23	55.0	14.0
R-H12N-48	48	53	69	59	66	23	55.0	14.0
R-H12N-50	50	55	71	62	70	25	58.0	15.0
R-H12N-53	53	58	78	65	73	25	60.0	15.0
R-H12N-55	55	60	79	67	75	25	60.0	15.0
R-H12N-58	58	63	83	70	78	25	60.0	15.0
R-H12N-60	60	65	85	72	80	25	60.0	15.0
R-H12N-63	63	68	88	75	83	25	60.0	15.0
R-H12N-65	65	70	90	77	85	25	61.0	15.0
R-H12N-70	70	75	98	83	92	28	63.0	18.0
R-H12N-75	75	80	103	88	97	28	68.0	18.0
R-H12N-80	80	85	109	95	105	28	68.0	18.2