

HBrinker Mechanical Seal

Agitator seal Mechanical Seal HBD510 /HBD520



Mechanical Seal HBD510 /HBD520

Operating range

Pressure: $p =$ vacuum (7 mbara) ... 5 bar (73 PSI)

Temperature: $t =$ -30 °C ... +175 °C (-22 °F ... +347 °F)

Sliding velocity: $v_g =$ max. 1.0 m/s (3 ft/s)

Allowable gas consumption: 2 NI/h



Materials

- Seal face: PTFE, Carbon fiber and glass fiber reinforced
- Seat: Silicon carbide (Q1), Aluminium oxide (V)

Features

- Dry running
- Single seal
- Independent of direction of rotation

v

Advantages

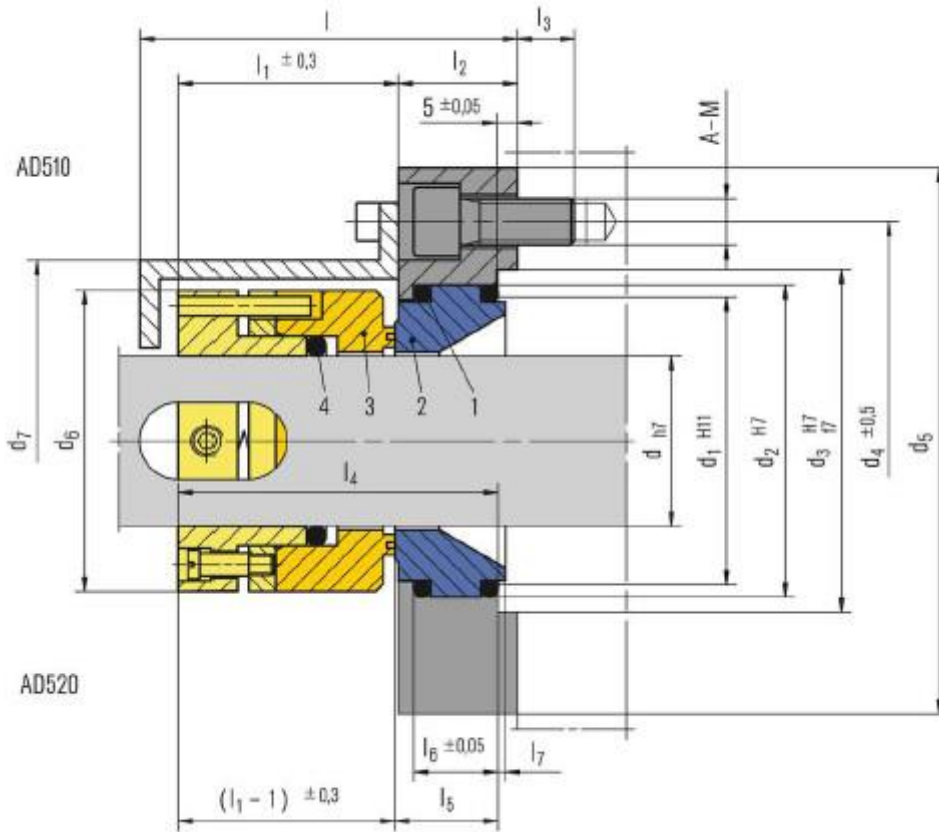
- HBD510 includes housing

Recommended applications

- Chemical industry
- Pharmaceutical industry
- Food and beverage industry
- Reactors
- Polymerization agitators
- Mixers

HBrinker Mechanical Seal

Agitator seal Mechanical Seal HBD510 /HBD520



Item	Description
1	O-Ring
2	Seat
3	Seal Face
4	O-Ring

HBrinker Mechanical Seal

Agitator seal Mechanical Seal HBD510 /HBD520



Dimension Table

d	d ₁	d ₂	d ₃	d ₄	d ₅	d ₆	d ₇	l	l ₁	l ₂	l ₃	l ₄	l ₅	l ₆	l ₇	A-M
20	36	42	50	70	90	46	60	77	44	24	11	63	20	16	2	4-M8
25	41	47	55	75	95	51	65	77	44	24	11	63	20	16	2	4-M8
30	46	52	60	80	100	56	70	77	44	24	11	63	20	16	2	4-M8
35	51	57	65	85	105	61	75	77	44	24	11	63	20	16	2	4-M8
40	60	66	75	95	120	70	85	82	47	26	12	68	22	18	2	4-M10
45	65	71	80	100	125	75	90	82	47	26	12	68	22	18	2	4-M10
50	70	76	85	105	130	80	95	82	47	26	12	68	22	18	2	8-M10
55	75	81	90	110	135	85	100	82	47	26	12	68	22	18	2	8-M10
60	85	91	100	120	145	92	110	89	51	28	12	74	24	20	2	8-M10
65	90	96	105	125	150	97	115	89	51	28	12	74	24	20	2	8-M10
70	95	101	110	130	155	102	120	91	51	30	12	76	26	21	2	8-M10
75	104	110	120	140	165	109	130	91	51	30	12	76	26	21	2	8-M10
80	109	115	125	150	178	114	130	98	57	31	15	83	27	22	2	8-M12
85	114	120	130	155	183	120	140	98	57	31	15	83	27	22	2	8-M12
90	119	125	135	160	188	124	140	98	57	31	15	83	27	22	2	8-M12
95	124	130	140	165	193	130	150	98	57	31	15	83	27	22	2	8-M12
100	129	135	145	170	198	134	150	98	57	31	15	83	27	22	2	8-M12
105	134	140	150	175	203	140	160	98	57	31	15	83	27	22	2	8-M12
110	139	145	155	180	208	146	165	98	57	31	15	83	27	22	2	8-M12
120	150	160	170	200	236	160	180	110	63	37	20	95	33	27	3	8-M16
130	160	170	180	210	246	170	190	110	63	37	20	95	33	27	3	8-M16
140	175	185	195	225	260	180	200	110	63	37	20	95	33	27	3	8-M16
150	190	200	210	240	276	200	225	136	85	40	20	120	36	30	3	8-M16
160	200	210	220	250	286	210	230	136	85	40	20	120	36	30	3	8-M16
170	210	220	230	260	296	220	250	136	85	40	20	120	36	30	3	8-M16
180	220	230	240	270	306	230	250	136	85	40	20	120	36	30	3	8-M16

