

HBrinker Mechanical Seal

Metal Bellows seals Mechanical Seal HBFLWT8



Mechanical Seal HBFLWT8

Operating range

Shaft diameter: $d_1 = 16 \dots 150 \text{ mm}$ (0.63" ... 6")

Externally pressurized: $p_1 = \dots 25 \text{ bar}$ (363 PSI)

Internally pressurized:

$p_1 < 120 \text{ }^\circ\text{C}$ (248 °F) 10 bar (145 PSI)

$p_1 < 220 \text{ }^\circ\text{C}$ (428 °F) 5 bar (73 PSI)

$p_1 < 400 \text{ }^\circ\text{C}$ (752 °F) 3 bar (44 PSI)

Stationary seat lock necessary

Temperature: $t = -40 \text{ }^\circ\text{C} \dots +400 \text{ }^\circ\text{C}$ (-148 °F ... +752 °F)

Sliding velocity: $v_g = 20 \text{ m/s}$ (66 ft/s)

Materials

- Seal face: Carbon graphite antimony impregnated (A), Silicon carbide (Q12)
- Seat: Silicon carbide (Q1) Bellows: Inconel® 718 hardened (M6), Hastelloy® C-276 (M5)
- Metal parts: CrNiMo steel (G), Duplex (G1), Carpenter® 42 (T4), Hastelloy® C-4 (M)

Features

- For unstepped shafts
- Single Seal
- Balanced
- Independent of direction of rotation
- Metal bellows rotating

Advantages

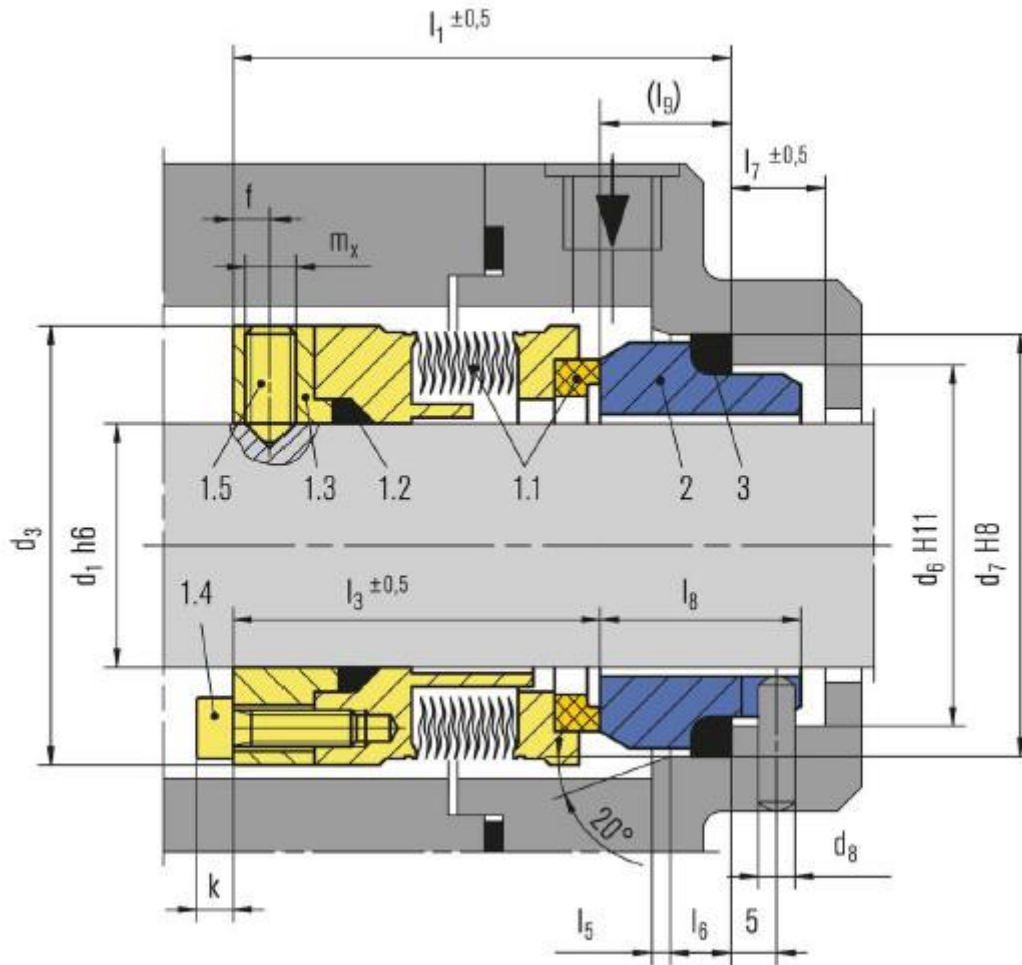
- For extreme high temperature ranges
- No dynamically loaded O-Ring
- Self cleaning effect
- Short installation length possible
- Pumping screw for highly viscous media available (dependent on direction of rotation).

Recommended applications

- Process industry
- Oil and gas industry
- Refining technology
- Petrochemical industry
- Chemical industry
- Pulp and paper industry
- Hot media
- Highly viscous media
- Pumps
- Special rotating equipment

HBrinker Mechanical Seal

Metal Bellows seals Mechanical Seal HBFLWT8



Item	Part no. DIN 24250	Description
1.1	472/481	Seal Face with bellows unit
1.2	410	Sealing ring
1.3	474	Drive collar
1.4		Socket head screw
1.5	904	Set screw
2	475	Seat
3	412	Sealing ring

HBrinker Mechanical Seal

Metal Bellows seals Mechanical Seal HBFLWT8



Dimension Table in millimeter

d ₁	d ₃	d ₆	d ₇	d ₈	l ₁	l ₃	l ₅	l ₆	l ₇	l ₈	l ₉	f	k	m _x
16	38	29.0	35.0	3	58.0	46.5	2.0	5	9	19.5	11.5	5	5	M5
18	40	31.0	37.0	3	58.0	46.5	2.0	5	9	19.5	11.5	5	5	M5
20	42	34.0	40.0	3	58.0	46.5	2.0	5	9	19.5	11.5	5	5	M5
22	44	37.0	43.0	3	58.0	46.5	2.0	5	9	19.5	11.5	5	5	M5
24	46	37.0	43.0	3	58.0	46.5	2.0	5	9	19.5	11.5	5	5	M5
25	47	39.0	45.0	3	58.0	46.5	2.0	5	9	19.5	11.5	5	5	M5
28	50	42.0	48.0	3	58.0	46.5	2.0	5	9	19.5	11.5	5	5	M6
30	52	44.0	50.0	3	58.0	46.5	2.0	5	9	19.5	11.5	5	5	M6
32	54	49.0	56.0	4	60.5	46.5	2.0	6	9	22.0	14.0	5	5	M6
33	55	49.0	56.0	4	60.5	46.5	2.0	6	9	22.0	14.0	5	5	M6
35	57	51.0	58.0	4	60.5	46.5	2.0	6	9	22.0	14.0	5	5	M6
38	60	54.0	61.0	4	60.5	46.5	2.0	6	9	22.0	14.0	5	5	M6
40	66	56.0	63.0	4	61.5	47.5	2.0	6	9	22.0	14.0	5	6	M6
43	69	59.0	66.0	4	61.5	47.5	2.0	6	9	22.0	14.0	5	6	M6
45	71	62.0	70.0	4	62.5	47.5	2.5	6	9	23.0	15.0	5	6	M6
48	74	65.0	73.0	4	62.5	47.5	2.5	6	9	23.0	15.0	5	6	M6
50	76	67.0	75.0	4	62.5	47.5	2.5	6	9	23.0	15.0	5	6	M6
53	79	70.0	78.0	4	62.5	47.5	2.5	6	9	23.0	15.0	5	6	M6
55	81	72.0	80.0	4	62.5	47.5	2.5	6	9	23.0	15.0	5	6	M6
58	85	75.0	83.0	4	68.0	53.0	2.5	6	9	23.0	15.0	5	6	M6
60	87	77.0	85.0	4	68.0	53.0	2.5	6	9	23.0	15.0	6	6	M8
63	90	81.0	90.0	4	71.0	53.0	2.5	7	9	26.0	18.0	6	6	M8
65	92	83.0	92.0	4	71.0	53.0	2.5	7	9	26.0	18.0	6	6	M8
68	95	88.0	97.0	4	71.0	53.0	2.5	7	9	26.0	18.0	6	6	M8
70	97	88.0	97.0	4	71.0	53.0	2.5	7	9	26.0	18.0	6	6	M8
75	102	95.0	105.0	4	71.0	52.8	3.0	7	9	26.2	18.2	6	6	M8
80	107	100.0	110.0	4	71.0	52.8	3.0	7	9	26.2	18.2	6	6	M8
85	112	105.0	115.0	4	71.0	52.8	3.0	7	9	26.2	18.2	6	6	M8
90	117	110.0	120.0	4	71.0	53.8	3.0	7	9	25.2	17.2	6	6	M8
95	122	115.0	125.0	4	71.0	53.8	3.0	7	9	25.2	17.2	6	6	M8
100	127	122.2	134.3	5	74.0	54.0	3.0	9	11	30.0	20.0	6	6	M8