

HBrinker Mechanical Seal

Grundfos seals Mechanical Seal HBGRF



Mechanical Seal HBGRF

Operating range

-
- Temperature: -40 to +200 c
- Pressure: ≤ 1.6 mpa
- Speed: ≤ 15 m/s
- Stationary and rotating face: SIC/SIC – Viton
- Material of metal part: AISI304
- Application: CR, Grundfos, CRI, CRN
- Rubber type: EPDM
- Shaft diameter: 12-16-22
- Width of transport packing: 8cm
- Length of transport packing: 8cm
- Height of transport packing: 10cm

The material can be changed based on the type of order

v

Material

- Stationary and rotating face: SIC/SIC/TN
- Material of metal part: AISI304
- Rubber type: EPDM

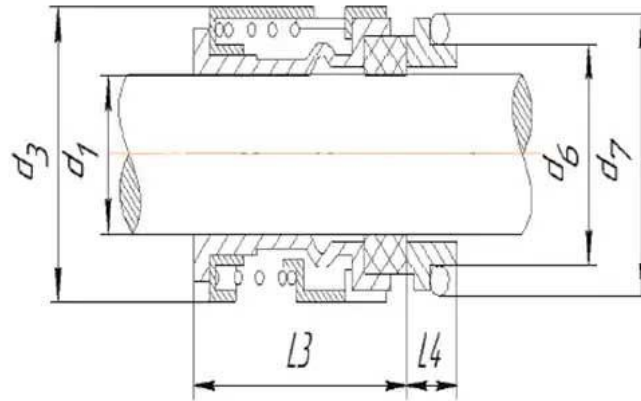
Seal HBGRE

- O-ring seal like type A but with a narrow seal face.
- Due to the narrow seal face of the unbalanced design, the balancing ratio exceeds that of seal crf. This reduces the pressure and temperature operating limits of the seal.

HBrinker Mechanical Seal

Grundfos seals

Mechanical Seal HBGRF



d1	d3	d6	d7	L3	L4
H6	Max	h8	0.5		h8
12	22	19	23	24	8.5
12	22	19	23	39	8.5
16	26	23	27	25	9
16	26	23	27	30	9