

HBrinker Mechanical Seal

Engineered seals

Mechanical Seal HBHR



H-Brinker

www.HBrinker.com



Mechanical Seal HBHR

Operating range

Shaft diameter: $dN = 36 \dots 270 \text{ mm}$ (1.4" ... 10.63")

Pressure: $p_1 = 16 \text{ bar}$ (230 PSI)

Temperature: $t = -20 \text{ }^\circ\text{C} \dots +160 \text{ }^\circ\text{C}$ (-4 °F ... +320 °F)

Sliding velocity: $v_g = 10 \text{ m/s}$ (33 ft/s)



Materials

- Seal face: Silicon carbide (Q1, Q2)
- Seat: Silicon carbide (Q1, Q2)

Features

- Single seal
- Balanced
- Independent of direction of rotation
- Multiple springs stationary
- Seat rotating
- Seat arranged directly behind the impeller
- Spring protection sleeve
- Variant with cylindrical spring and acc. EN 12756 (HRZ1) available
- Variant as cartridge with/without guide sleeve for application with/without quench (HR2, HR3)
- Dual seal as cartridge unit (HRKS-D) available

Advantages

- Resistant to electrochemical corrosion.
- Extremely long service life (>40,000 h).
- No dosing system, no cooling circuit conditioning required.
- Diamond coating provides very low friction, thus reduced power consumption.
- Deformation-optimized for high sliding velocities and medium pressures.
- Economical due to standardized components.
- High flexibility due to adaptation of the connection parts to the pump seal chamber.
- Optimum heat dissipation due to integrated pumping device and optimized seat / seal face design.

Recommended applications

- Process industry
- Oil and gas industry
- Refining technology
- Chemical industry
- Power plant technology
- Pulp and paper industry
- Water and waste water technology
- Mining industry
- Sugar industry
- Cement industry
- Contaminated, abrasive and solids containing media
- Sewage water pumps
- Dredger pumps
- Oil sand extraction
- Suspension pumps of flue-gas desulphurization plants (FGD)

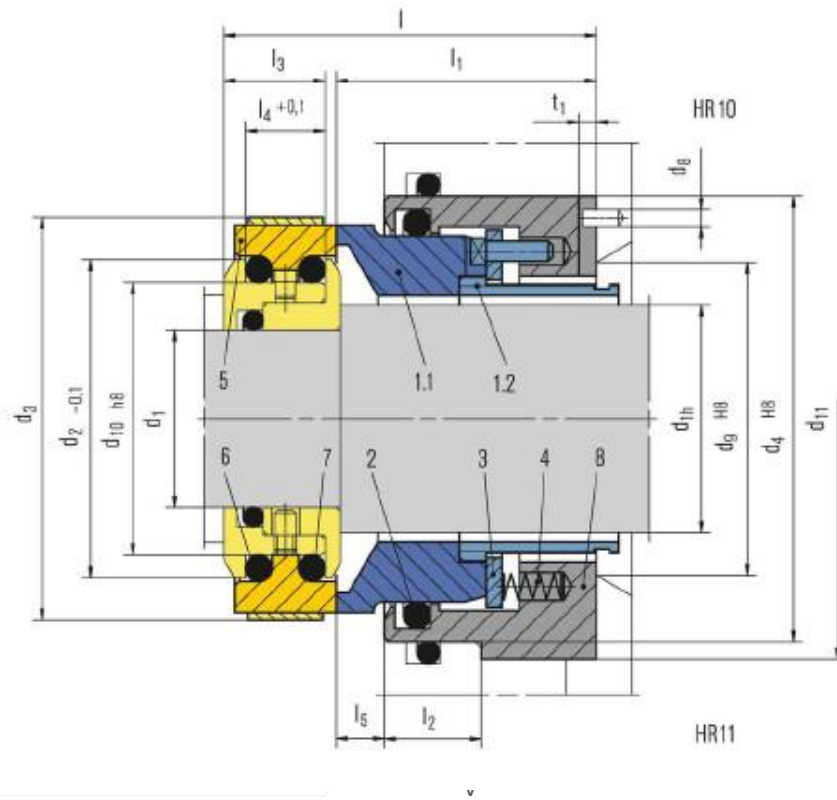
Telegram: +3197010281216

WhatsApp: +3197010281216

Email: Info@Hbrinker.com

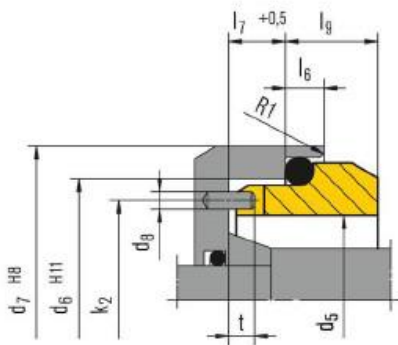
HBrinker Mechanical Seal

Engineered seals Mechanical Seal HBHR

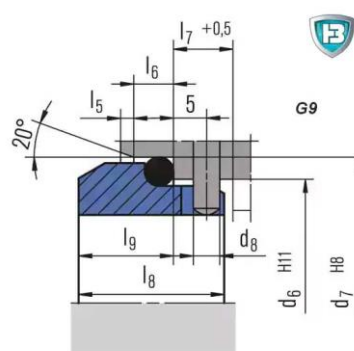


Item	Part no DIN 24250	Description
1.1	472	Seal face
1.2	520	Sleeve
2	412.1	O-Ring
3	474	Thrust ring
4	477	Spring
5	475	Seat (G11)
6	412.2	O-Ring
7	412.3	O-Ring
8	441	Housing

Seat alternatives



Seat G2



Seat G9

HBrinker Mechanical Seal

Engineered seals

Mechanical Seal HBHR



Dimension Table

d ₁	d _{1h}	d _N	d ₂	d ₃	d ₄	d ₅	d ₆	d ₇	d ₈	d ₉	d ₁₀	d ₁₁ +0.2 min	l	l ₁	l ₂	l ₃	l ₄	l ₅	l ₆	l ₇	l ₉	k ₂	t	t ₁
20	28	36	47.1	65	70	46	56.0	63.0	4	40	38	75	75	53	20	19.5	17	10.5	6	9	8.0	51.0	4.5	3
25	33	41	52.1	70	75	51	62.0	70.0	4	45	43	80	75	53	20	19.5	17	10.5	6	9	9.5	56.5	4.5	3
28	38	46	57.1	75	80	56	67.0	75.0	4	50	48	85	75	53	20	19.5	17	10.5	6	9	9.5	61.5	4.5	3
33	43	51	62.1	80	85	61	72.0	80.0	4	55	53	90	75	53	20	19.5	17	10.5	6	9	10.5	66.5	4.5	3
38	48	56	67.1	85	90	66	77.0	85.0	4	60	58	95	75	53	20	19.5	17	10.5	6	9	10.5	71.5	4.5	3
43	53	61	72.1	90	95	69	81.0	90.0	4	65	63	100	75	53	20	19.5	17	10.5	7	9	11.0	75.0	4.5	3
48	58	66	77.1	95	100	76	88.0	97.0	4	70	68	105	75	53	20	19.5	17	10.5	7	9	11.5	82.0	4.5	3
53	63	71	82.1	101	105	81	95.0	105.0	4	75	73	110	75	53	20	19.5	17	10.5	7	9	11.5	88.0	4.5	3
55	65	75	87.1	106	110	86	100.0	110.0	4	79	78	115	75	53	20	19.5	17	10.5	7	9	11.5	93.0	4.5	3
60	70	80	92.1	111	115	91	105.0	115.0	4	84	83	120	75	53	20	19.5	17	10.5	7	9	13.0	98.0	4.5	3
65	75	85	97.1	116	120	96	110.0	120.0	4	89	88	125	75	53	20	19.5	17	10.5	7	9	13.0	103.0	4.5	3
70	80	90	102.1	121	125	101	115.0	125.0	4	94	93	130	75	53	20	19.5	17	10.5	7	9	13.0	108.0	4.5	3
75	85	95	107.1	126	130	107	122.2	134.3	5	99	98	135	75	53	20	19.5	17	10.5	10	12	20.0	114.5	7.0	3
80	90	100	112.1	131	135	107	122.2	134.3	5	104	103	140	75	53	20	19.5	17	10.5	10	12	20.0	114.5	7.0	3
90	100	110	126.1	147	155	117	136.2	148.3	5	116	117	163	98	73	30	22.0	19	16.0	10	12	20.0	126.5	7.0	4
100	110	120	136.1	157	165	132	146.2	158.3	5	126	127	173	98	73	30	22.0	19	16.0	10	12	20.0	139.0	7.0	4
110	120	130	145.1	167	175	142	156.2	168.3	5	136	136	183	98	73	30	22.0	19	16.0	10	12	20.0	149.0	7.0	4
120	130	140	154.1	177	185	152	168.2	180.3	5	146	145	193	98	73	30	22.0	19	16.0	10	12	20.0	160.0	7.0	4
130	140	150	163.9	188	195	162	178.2	190.3	5	156	155	203	98	73	30	22.0	19	16.0	12	12	24.0	170.0	7.0	4
140	150	160	174.9	189	205	172	188.2	200.3	5	166	166	213	98	73	30	22.0	19	16.0	12	12	24.0	180.0	7.0	4
160	170	180	193.9	220	230	187	212.5	224.3	5	186	185	238	98	73	30	22.0	19	16.0	12	12	28.0	199.5	7.0	4
180	190	200	213.9	240	255	-	-	-	-	206	205	265	98	73	30	22.0	19	16.0	-	-	-	-	-	4
190	200	210	231.9	255	270	-	-	-	-	218	220	280	115	83	40	28.35	24.7	19.0	-	-	-	-	-	5
200	210	220	241.9	265	280	-	-	-	-	228	230	290	115	83	40	28.35	24.7	19.0	-	-	-	-	-	5
210	220	230	251.9	275	290	-	-	-	-	238	240	300	115	83	40	28.35	24.7	19.0	-	-	-	-	-	5
220	230	240	261.9	285	300	-	-	-	-	248	250	310	115	83	40	28.35	24.7	19.0	-	-	-	-	-	5
230	240	250	271.9	295	310	-	-	-	-	258	260	320	115	83	40	28.35	24.7	19.0	-	-	-	-	-	5
250	260	270	291.9	315	330	-	-	-	-	278	280	340	115	83	40	28.35	24.7	19.0	-	-	-	-	-	5