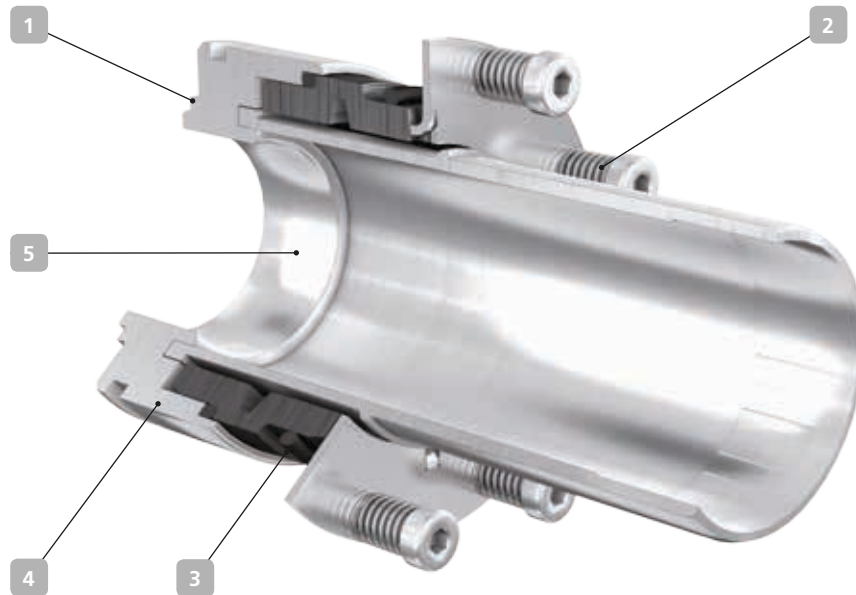


## 4C and 4CN – for KSB's CPK and CPKN pump type series



**Applications:**  
chemical and petrochemical industries

### 1 Robust

Tailored to the conical installation space of the pump (A-type cover). Suitable for solids-laden fluids.

### 2 Dependable

Stationary design, multiple springs located outside the fluid handled. The large springs are insensitive to contamination and ensure an optimal service life.

### 3 Different material variants

Elastomers made of EPDM/FKM or, alternatively, perfluoroelastomer (FFKM). Springs made of 1.4310 or, alternatively, Hastelloy.

### 4 Versatile

Can optionally also be operated with unpressurised quench liquid.

### 5 Service-friendly

Easy to install, no adjustments required when installing.

#### Technical description

|                        |  |
|------------------------|--|
| Design                 | Single mechanical seal                       |
| Type                   | Stationary, balanced                         |
| Springs                | Multi-spring arrangement                     |
| Direction of rotation  | Bi-directional                               |
| Additional information | Various wear part kits available, see ZN3302 |

#### Materials

|                  |                               |
|------------------|-------------------------------|
| Primary ring     | SiC (Q1)                      |
| Mating ring      | SiC (Q1)                      |
| Elastomers       | EPDM (E) / FKM (V) / FFKM (K) |
| Springs          | 1.4571 (G) / 2.4610 (M)       |
| Other Components | 1.4462 (G1) / 2.4610 (M)      |

Other material combinations on request

#### Technical data

|                             |   |
|-----------------------------|---|
| Operating pressure          | Up to 25 bar, dynamic<br>Up to 37.5 bar, static                     |
| Temperature                 | 20 °C to 150 °C   |
| Bearing bracket (seal size) | P02 (030), P03 (040), P04 (050), P05 (060),<br>P06 (070), P08 (080) |
| Business type               | Engineered  |