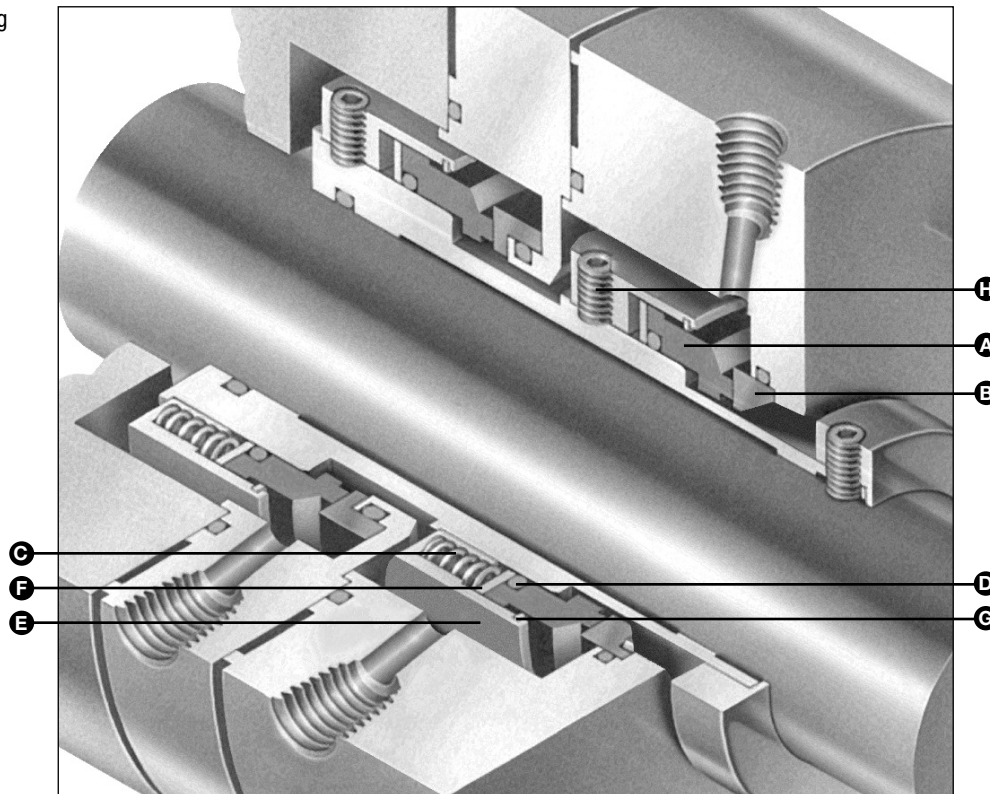


# TYPE 48SC/S48SC

## DRY-RUNNING SECONDARY CONTAINMENT SEAL

Technical Specification

- A – Face/Primary Ring
- B – Seat/Mating Ring
- C – Spring
- D – O-Ring
- E – Retainer
- F – Disc
- G – Snap Ring
- H – Set Screw



### Product Description

Self-cooling Type 48SC Seals are full contact dry-running secondary containment seals. This breakthrough in dry tandem sealing requires no external lubrication system, reducing hazards from buffer fluid contamination and eliminating contaminated fluid disposal problems. Available in retrofit kits, these secondary containment seals can fit into existing cartridges.

- For service in chemical processing, cryogenics, offshore platforms, oil production and refining, petrochemical processing, pharmaceutical, and pipeline transmission

### Performance Capabilities

- Temperatures: -29°C to 205°C/-20°F to 400°F
- Pressures: Dry: 0.35 bar g/5 psig continuous  
Wet: 35 bar g/500 psig\*
- Speeds: up to 20 mps/4000 fpm

\*Maximum containment pressure rating under dynamic conditions dependent upon process fluid properties. Shut down upon high pressure alarm activation is recommended. Contact John Crane for higher pressures or speeds.

### Design Features

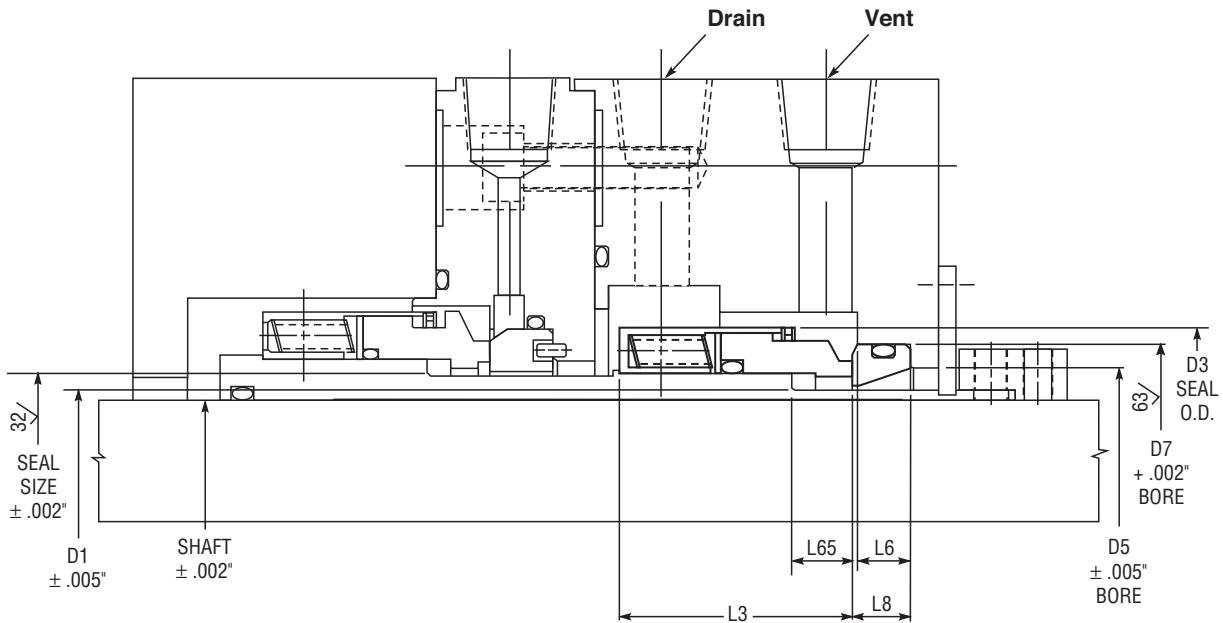
- For easy outboard seal replacement from existing liquid lubricated tandem arrangements to dry sealing.
- For (Maximum Achievable Control Technology (MACT) compliant emission control use in conjunction with Type 48.
- Available in short seal designed to fit ANSI and older edition API pumps where there is restricted axial length (Type S48SC).
- The primary ring/face is a John Crane proprietary carbon grade developed specifically for dry-running systems. The mating ring is highly thermal conductive silicon carbide.
- Primary ring has lightly-loaded springs to permit dry sealing at pump speeds. Lower spring rates keep load even over a wider working height range. Controlled O-ring squeeze and spring load minimizes seal head drag.
- Self-cooling performance is enhanced by tapered back surface of mating ring, allowing greater access of air at seal faces and increasing surface area exposed to cooling air which is created by specially designed drive collar. Also contributing to low heat at faces are narrow face width, with controlled pressure and thermal distortion.

# TYPE 48SC/S48SC

## DRY-RUNNING SECONDARY CONTAINMENT SEAL

Technical Specification

### Type 48SC Typical Arrangement



### Type 48SC Dimensional Data (inches)

Shaft Size	Seal Size (inches)	D1	D3	D5	D7	L3	L6	L8	L65
0.500	1.000	0.750	1.562	1.062	1.375	1.312	0.343	0.406	0.343
0.625	1.125	0.875	1.687	1.187	1.500	1.375	0.343	0.406	0.343
0.750	1.250	1.000	1.875	1.312	1.625	1.375	0.375	0.437	0.343
0.875	1.375	1.125	2.000	1.468	1.750	1.437	0.375	0.437	0.343
1.000	1.500	1.250	2.125	1.593	1.875	1.437	0.375	0.437	0.343
1.125	1.625	1.375	2.375	1.703	2.000	1.750	0.375	0.437	0.437
1.250	1.750	1.500	2.500	1.812	2.125	1.750	0.375	0.437	0.437
1.375	1.875	1.625	2.625	1.968	2.375	1.750	0.437	0.500	0.437
1.500	2.000	1.750	2.750	2.093	2.500	1.750	0.437	0.500	0.437
1.625	2.125	1.875	3.000	2.218	2.625	2.062	0.437	0.500	0.500
1.750	2.250	2.000	3.125	2.343	2.750	2.062	0.437	0.500	0.500
1.875	2.375	2.125	3.250	2.500	3.000	2.062	0.500	0.562	0.500
2.000	2.500	2.250	3.375	2.625	3.125	2.062	0.500	0.562	0.500
2.125	2.625	2.375	3.500	2.750	3.250	2.062	0.500	0.562	0.500
2.250	2.750	2.500	3.625	2.890	3.375	2.062	0.500	0.562	0.500
2.375	2.875	2.625	3.750	3.046	3.625	2.062	0.562	0.625	0.500
2.500	3.000	2.750	3.812	3.171	3.500	2.062	0.562	0.625	0.500
2.625	3.125	2.875	3.937	3.296	3.750	2.062	0.562	0.625	0.562
2.750	3.250	3.000	4.125	3.437	3.875	2.062	0.562	0.625	0.562
2.875	3.375	3.125	4.250	3.546	4.000	2.062	0.656	0.781	0.562
3.000	3.500	3.250	4.375	3.671	4.125	2.062	0.656	0.781	0.562
3.125	3.625	3.375	4.500	3.796	4.250	2.062	0.656	0.781	0.562
3.250	3.750	3.500	4.625	3.921	4.375	2.062	0.656	0.781	0.562
3.375	3.875	3.625	4.750	4.046	4.500	2.062	0.656	0.781	0.562
3.500	4.000	3.750	4.875	4.171	4.625	2.062	0.656	0.781	0.562
3.625	4.125	3.875	5.125	4.296	4.750	2.062	0.656	0.781	0.562
3.750	4.250	4.000	5.250	4.421	4.875	2.062	0.656	0.781	0.562

# TYPE 48SC/S48SC

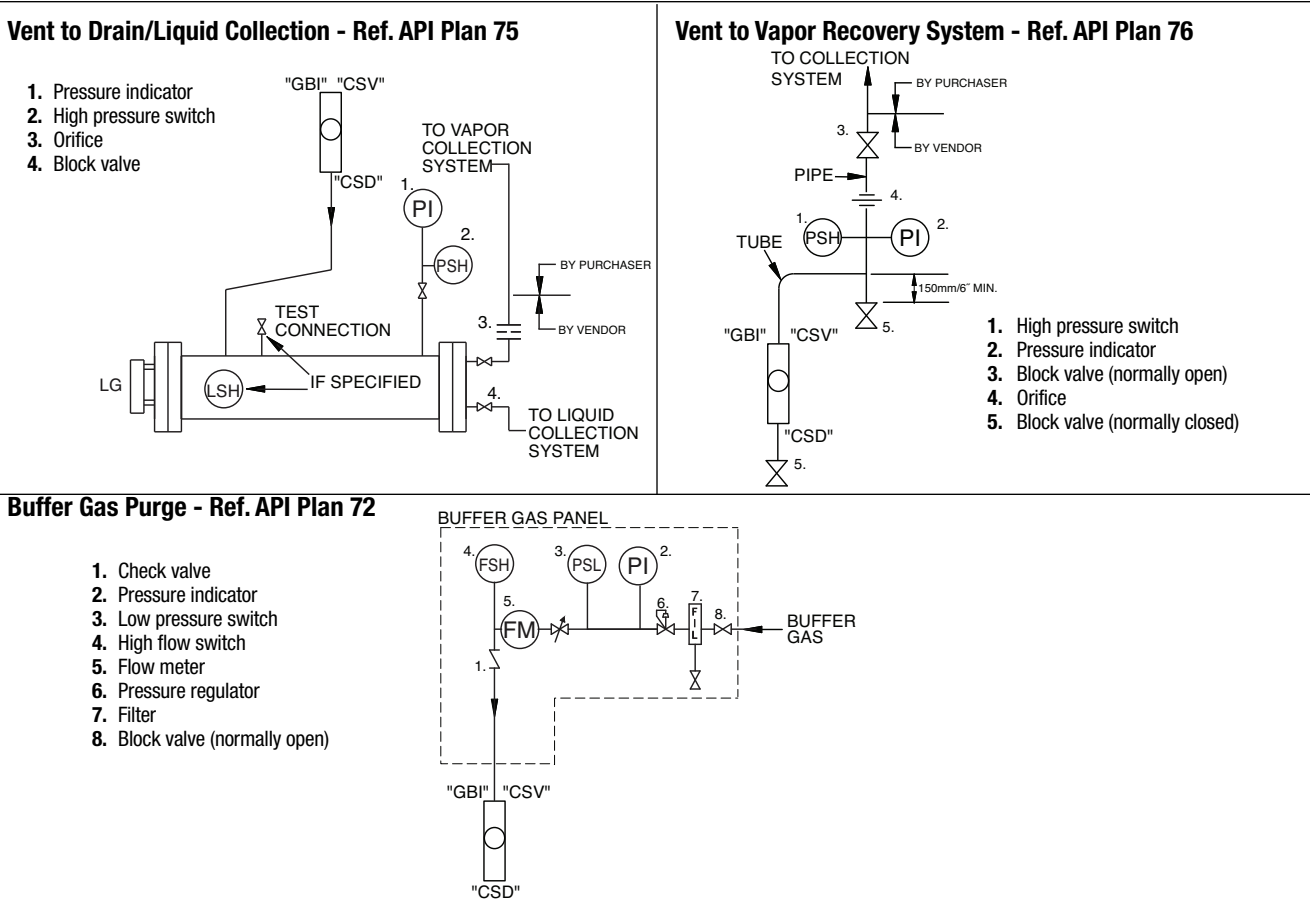
## DRY-RUNNING SECONDARY CONTAINMENT SEAL

### Type S48SC Dimensional Data (inches)

Shaft Size	Seal Size (inches)	D1	D3	D5	D7	L3	L6	L8	L65
0.500	1.000	0.750	1.567	1.062	1.375	1.000	0.343	0.406	0.250
0.625	1.125	0.875	1.692	1.187	1.500	1.000	0.343	0.406	0.250
0.750	1.250	1.000	1.880	1.312	1.625	1.000	0.375	0.437	0.250
0.875	1.375	1.125	2.005	1.468	1.750	1.187	0.375	0.437	0.312
1.000	1.500	1.250	2.130	1.593	1.875	1.187	0.375	0.437	0.312
1.125	1.625	1.375	2.380	1.703	2.000	1.187	0.375	0.437	0.312
1.250	1.750	1.500	2.505	1.812	2.125	1.187	0.375	0.437	0.312
1.375	1.875	1.625	2.630	1.968	2.375	1.187	0.437	0.500	0.312
1.500	2.000	1.750	2.755	2.093	2.500	1.187	0.437	0.500	0.312
1.625	2.125	1.875	3.005	2.218	2.625	1.312	0.437	0.500	0.406
1.750	2.250	2.000	3.130	2.343	2.750	1.312	0.437	0.500	0.406
1.875	2.375	2.125	3.255	2.500	3.000	1.312	0.500	0.562	0.406
2.000	2.500	2.250	3.380	2.625	3.125	1.312	0.500	0.562	0.406
2.125	2.625	2.375	3.505	2.750	3.250	1.312	0.500	0.562	0.406
2.250	2.750	2.500	3.630	2.890	3.375	1.312	0.500	0.562	0.406
2.375	2.875	2.625	3.755	3.046	3.625	1.312	0.562	0.625	0.406
2.500	3.000	2.750	3.880	3.171	3.500	1.312	0.562	0.625	0.406
2.625	3.125	2.875	4.005	3.296	3.750	1.312	0.562	0.625	0.406
2.750	3.250	3.000	4.130	3.437	3.875	1.312	0.562	0.625	0.406
2.875	3.375	3.125	4.255	3.546	4.000	1.312	0.656	0.781	0.406
3.000	3.500	3.250	4.380	3.671	4.125	1.312	0.656	0.781	0.406
3.125	3.625	3.375	4.505	3.796	4.250	1.312	0.656	0.781	0.406
3.250	3.750	3.500	4.630	3.921	4.375	1.312	0.656	0.781	0.406
3.375	3.875	3.625	4.755	4.046	4.500	1.312	0.656	0.781	0.406
3.500	4.000	3.750	4.880	4.171	4.625	1.312	0.656	0.781	0.406

### Piping Schematics

The following piping schematics illustrate how auxiliary piping is connected to the outboard secondary containment seal gland connections.



# TYPE 48SC/S48SC

## DRY-RUNNING SECONDARY CONTAINMENT SEAL

Technical Specification

### Criteria for Installation

Shaft/Sleeve	Limits
Surface Finish	32 Ra
Ovality/Out of Roundness (Shaft)	0.051mm/0.002"
End Play/ Axial Float Allowance	0.78mm/0.031" TIR
Shaft Runout	0.05mm/0.002" TIR
Shaft Squareness to Housing	0.13mm/0.005" TIR

### Materials of Construction

SEAL COMPONENTS	MATERIALS	
Description	Standard	Options
Face/Primary Ring	Carbon*	—
Seat/Mating Ring	Reaction Bonded Silicon Carbide	Alpha SiC
O-Ring	Fluoroelastomer	Buna-N EPDM Perfluoroelastomer
Disc Set Screws Retainer Snap Ring	316 Stainless Steel	Monel® Alloy C-276 (UNS N10276)
Springs	316 Stainless Steel	Monel Alloy C-276 (UNS N10276)

\*proprietary carbon grade

Monel is a registered trademark of Inco Alloys International, Inc.



**North America**  
United States of America  
Tel: 1-847-967-2400  
Fax: 1-847-967-3915

**Europe**  
United Kingdom  
Tel: 44-1753-224000  
Fax: 44-1753-224224

**Latin America**  
Brazil  
Tel: 55-11-3371-2500  
Fax: 55-11-3371-2599

**Middle East & Africa**  
United Arab Emirates  
Tel: 971-481-27800  
Fax: 971-488-62830

**Asia Pacific**  
Singapore  
Tel: 65-6518-1800  
Fax: 65-6518-1803

If the products featured will be used in a potentially dangerous and/or hazardous process, your John Crane representative should be consulted prior to their selection and use. In the interest of continuous development, John Crane Companies reserve the right to alter designs and specifications without prior notice. It is dangerous to smoke while handling products made from PTFE. Old and new PTFE products must not be incinerated. ISO 9001 and ISO14001 Certified, details available on request.