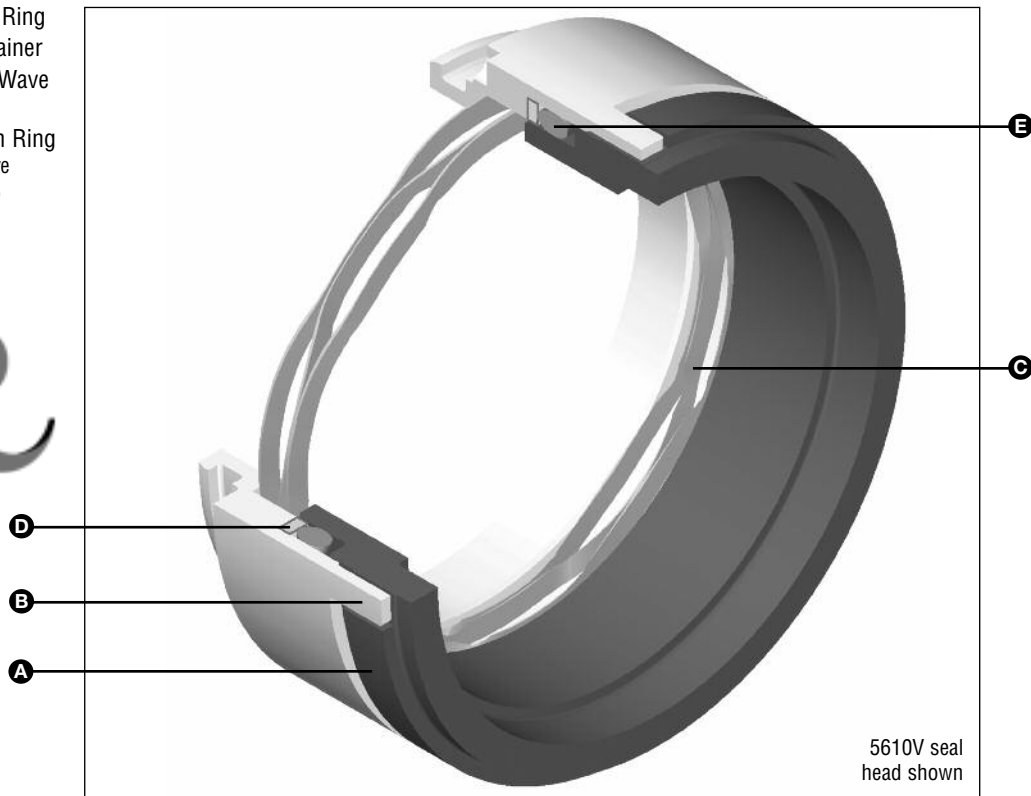


EAR DRIVE O-RING SEAL

TYPE 5610V/5610VQ/5620VP

Technical Specification

- A – Face/Primary Ring
- B – Ear Drive Retainer
- C – Nonclogging Wave Spring
- D – Anti-Extrusion Ring
(Only sizes above
75mm / 3.000".)
- E – O-ring



Product Description

The specially engineered, fully interchangeable ear drive O-ring seal head extends the functionality of the 5600 series product line for standard ANSI and large bore pumps.

The Type 5610V is a single cartridge using the ear drive O-ring pusher seal head.

The Type 5610VQ is a single cartridge arrangement using the ear drive O-ring pusher seal head along with a quench gland containing a carbon ring throttle bushing.

The Type 5620VP is a dual cartridge arrangement using the ear drive O-ring pusher seal head.

Performance Capabilities

- Temperature:
-30°C to 205°C / -20°F to 400°F
- Pressure: up to 75mm / 3.000": 21 bar g/300 psig max.
over 75mm / 3.000": 13 bar g/200 psig max.
- Speed: up to 25 m/s / 5000 fpm
- End play/axial float allowance: 0.13mm/0.005"
- Runout/out of squareness: 0.05mm/0.002"

Design Features

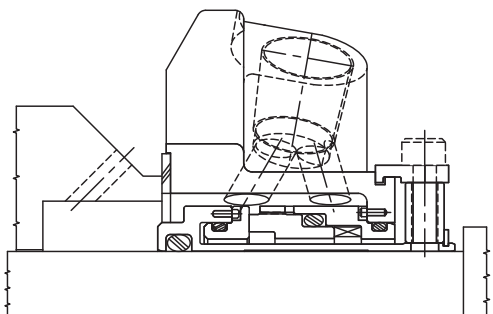
- Ear driven primary ring ensures maximum seal life under a wider range of operating conditions
- Retrofits with existing 5600 seal heads
- Optimized primary ring design provides greater reliability
- Nonclogging wave spring is located outside of the product

EAR DRIVE O-RING SEAL

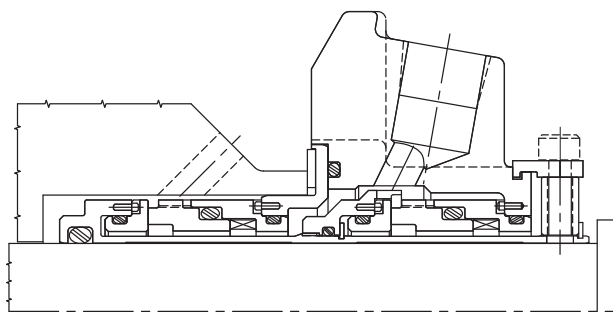
TYPE 5610V/5610VQ/5620VP

Technical Specification

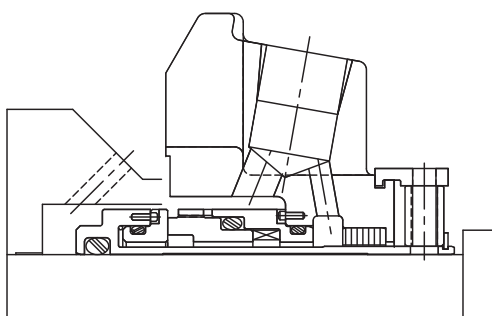
Type 5610V



Type 5620VP



Type 5610VQ



Type 5610V Seal Head



Materials of Construction

SEAL COMPONENTS	MATERIALS	
	Standard	Options
Description		
Face/Primary Ring	Resin-Impregnated Carbon	Sintered Silicon Carbide Nickel Binder Tungsten Carbide
Retainer Anti-Extrusion Ring	316 Stainless Steel	Alloy 20CB3 SS (UNS N8020) Alloy C-276 (UNS N10276) Titanium
O-ring	Fluoroelastomer Ethylene Propylene	Perfluoroelastomer Buna-N Neoprene
Spring	Alloy C-276 (UNS N10276)	—



North America
United States of America
Tel: 1-847-967-2400
Fax: 1-847-967-3915

Europe
United Kingdom
Tel: 44-1753-224000
Fax: 44-1753-224224

Latin America
Brazil
Tel: 55-11-3371-2500
Fax: 55-11-3371-2599

Middle East & Africa
United Arab Emirates
Tel: 971-481-27800
Fax: 971-488-62830

Asia Pacific
Singapore
Tel: 65-6518-1800
Fax: 65-6518-1803

If the products featured will be used in a potentially dangerous and/or hazardous process, your John Crane representative should be consulted prior to their selection and use. In the interest of continuous development, John Crane Companies reserve the right to alter designs and specifications without prior notice. It is dangerous to smoke while handling products made from PTFE. Old and new PTFE products must not be incinerated. ISO 9001 and ISO14001 Certified, details available on request.