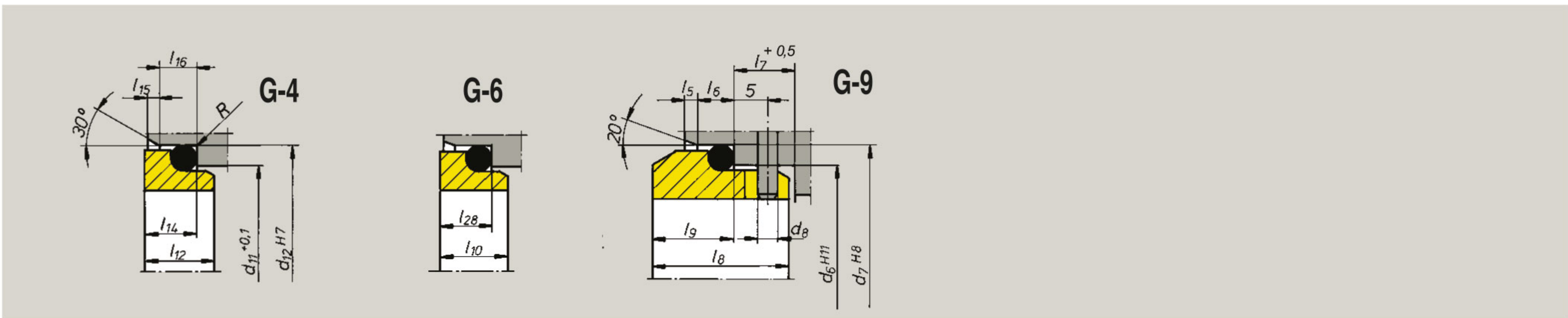


Product Description	Technical Features	Operating Range	Material
<ul style="list-style-type: none"> ▶ 1,1-Carbon rotary face ▶ 1,2-O-Ring (For rotary seal) ▶ 1,3-Thrust Ring ▶ 1,4-Spring ▶ 2-Stationary Seat ▶ 3-O-Ring (For stationary seal) 	<ul style="list-style-type: none"> ▶ Single Seal ▶ Unbalanced ▶ Conical spring dependent of rotation direction 	<ul style="list-style-type: none"> ▶ $d_1 = 6 - 38\text{mm}$ ▶ $p = 10\text{ bar}$ ▶ $t = -50 / 220\text{ }^\circ\text{C}$ ▶ $V_g = 15\text{ m}^3/\text{sn}$ 	<ul style="list-style-type: none"> ▶ Rotary seal faces: Carbon ▶ Stationary seal faces: Silicon carbide, Ceramic, Tungsten Carbide, Chromuim Nickle 316 ti ▶ Elastomers : Viton (FKM), EPDM, Nitril (NBR) Silicon

Stationary Seat Alternatives

- ▶ G-4 G-6 G-9



d ₁	d ₃	d ₆	d ₇	d ₈	d ₁₁	d ₁₂	d _b	l _{1N}	l ₃	l ₅	l ₆	l ₇	l ₈	l ₉	l ₁₀	l ₁₂	l ₁₄	l ₁₅	l ₁₆	l ₂₁	l ₂₈	b	R
6	15	-	-	-	11.8	16.0	8	-	-	-	-	-	-	-	-	6.5	5.6	1.2	3.8	10.9	-	-	1.2
8	18	-	-	-	15.5	19.2	11	-	-	-	-	-	-	-	-	8.0	7.0	1.2	3.8	15.5	-	-	1.2
10*	20	17	21	3	15.5	19.2	13	40	17.5	1.5	4	8.5	17.5	10.0	7.5	7.5	6.6	1.2	3.8	15.9	6.6	8	1.2
12*	22	19	23	3	17.5	21.6	16	40	17.5	1.5	4	8.5	17.5	10.0	7.5	8.0*	7.0*	1.2	3.8	16.0	6.6	8	1.2
14*	25	21	25	3	20.5	24.6	18	40	17.5	1.5	4	8.5	17.5	10.0	7.5	8.0*	7.0*	1.2	3.8	16.0	6.6	8	1.2
15	27	-	-	-	20.5	24.6	19	-	-	-	-	-	-	-	-	7.5	6.6	1.2	3.8	17.4	-	-	1.2
16*	27	23	27	3	22.0	28.0	21	40	19.5	1.5	4	8.5	17.5	10.0	7.5	8.5	7.5	1.5	5.0	19.0	6.6	8	1.5
18*	30	27	33	3	24.0	30.0	23	45	20.5	2.0	5	9.0	19.5	11.5	8.5	9.0	8.0	1.5	5.0	20.5	7.5	8	1.5
20*	32	29	35	3	29.5	35.0	26	45	22.0	2.0	5	9.0	19.5	11.5	8.5	8.5	7.5	1.5	5.0	22.0	7.5	8	1.5
22*	35	31	37	3	29.5	35.0	28	45	23.5	2.0	5	9.0	19.5	11.5	8.5	8.5	7.5	1.5	5.0	23.5	7.5	8	1.5
24*	38	33	39	3	32.0	38.0	30	50	25.0	2.0	5	9.0	19.5	11.5	8.5	8.5	7.5	1.5	5.0	25.0	7.5	8	1.5
25*	40	34	40	3	32.0	38.0	31	50	26.5	2.0	5	9.0	19.5	11.5	8.5	8.5	7.5	1.5	5.0	26.5	7.5	8	1.5
26	41	-	-	-	34.0	40.0	32	-	-	-	-	-	-	-	-	9.0	8.0	1.5	5.0	26.5	-	-	1.5
28*	43	37	43	3	36.0	42.0	35	50	26.5	2.0	5	9.0	19.5	11.5	8.5	10.0	9.0	1.5	5.0	26.5	7.5	8	1.5
30	47	-	-	-	39.2	45.0	37	-	-	-	-	-	-	-	-	11.5	10.5	1.5	5.0	25.0	-	-	1.5
32	48	-	-	-	42.2	48.0	39	-	-	-	-	-	-	-	-	13.0	10.5	1.5	5.0	28.5	-	-	1.5
35	53	-	-	-	46.2	52.0	43	-	-	-	-	-	-	-	-	13.5	11.0	1.5	5.0	28.5	-	-	1.5
38	56	-	-	-	49.2	55.0	47	-	-	-	-	-	-	-	-	13.0	10.3	1.5	5.0	32.0	-	-	1.5