

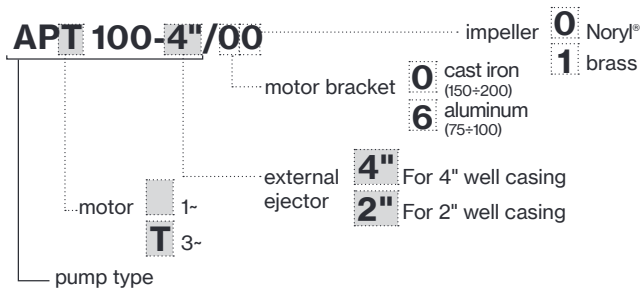
Self-priming centrifugal pump with external ejector (convertible) 2" and 4"; for water supplies (even if mixed with gas) in small household systems, when connected to autoclave tanks, an automatic pressurisation system comes.

### Construction features

<b>Pump body</b>	cast iron
<b>Motor bracket</b>	aluminum (75÷100), cast iron (150÷200)
<b>Impeller</b>	Noryl® or brass
<b>Mechanical seal</b>	ceramic-graphite-NBR
<b>Motor shaft</b>	steel AISI 416 (75÷100), steel AISI 303 hydraulic part (150÷200)
<b>Liquid temperature</b>	0 - 50 °C
<b>Operating pressure</b>	max 8 bar

### Motor

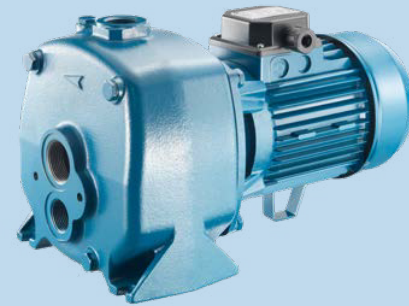
	3- 230/400V-50Hz
<b>2 poles induction motor</b>	1- 230V-50Hz (with thermal protection)
<b>Insulation class</b>	F
<b>Protection degree</b>	IPX4



TYPE	LOTS			
	TRUCK		CONTAINER	
	PALLET (cm)	N° pumps	PALLET (cm)	N° pumps
AP 75-100	85×110×145	60	85×110×190	80
AP 150-200	80×120×140	35	80×120×190	49



AP 100

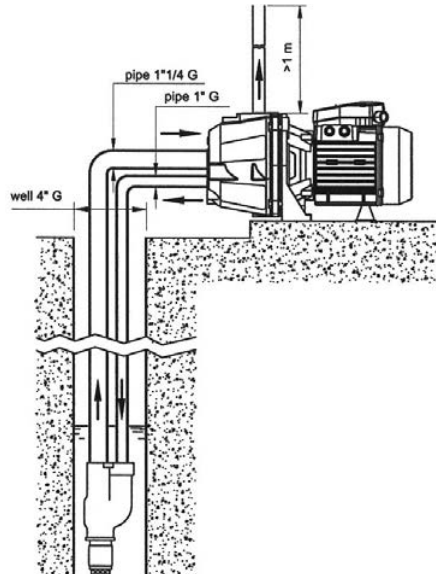


APT 200

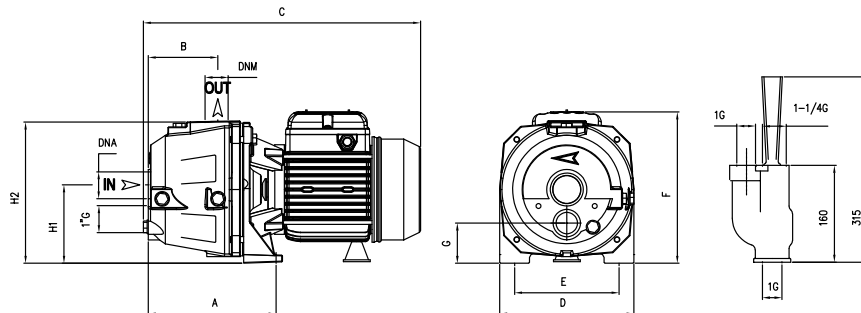


4"





TYPE		P2		P1 (kW)		AMPERE		Ejector type	Suction depth. m	Q (m <sup>3</sup> /h - l/min)									
1~	3~	HP	kW	1~	3~	1~ 50 Hz	3~ 50 Hz			0,18	0,36	0,6	0,9	1,2	1,5	1,8	2,1	3	3,6
										3	6	10	15	20	25	30	35	50	60
AP 75	APT 75	0,8	0,59	0,8	0,81	3,7	1,4	P 20	15	31	28	25	22	19	17	15	12		
									20	28	23	18	15	13	11				
AP 100	APT 100	1	0,74	1,02	1,05	4,7	2,3	P 30	25	22	16	11	8						
									30	14	8								
AP 150	APT 150	1,5	1,1	1,65	1,65	8,2	3	P 20	15							42	35	25	21
									20						50	37	30	21	
AP 200	APT 200	2	1,5	2,22	2,22	10,3	4,1	P 30	35				49	41	20				
									40		49	43	40						
AP 200	APT 200	2	1,5	2,22	2,22	10,3	4,1	P 20	15							46	35	30	
									20						48	43	32	27	
AP 200	APT 200	2	1,5	2,22	2,22	10,3	4,1	P 30	25					50	44	40	28	23	
									35				46	30					
AP 200	APT 200	2	1,5	2,22	2,22	10,3	4,1	P 20	40				49	40					
									50				49	40					



TYPE	DIMENSIONS (mm)											M			Kg
	A	B	C	D	E	F	G	H1	H2	DNA	DNM	I	L	M	
AP 75	168	82	360	180	140	195	52	97	188			440	200	225	16
AP 100	168	82	360	180	140	195	52	97	188	1" 1/4 G	1" G	440	200	225	18
AP 150	125	74	415	220	177	230	60	112	240			525	230	280	28,5
AP 200	125	74	415	220	177	230	60	112	240			525	230	280	29

