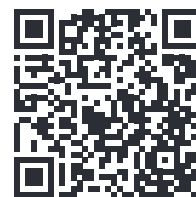


Multi-stage centrifugal pumps, horizontal and self-priming, particularly suitable for constructing small and medium sized pressurisation systems; able to suck liquids mixed with air or gas.

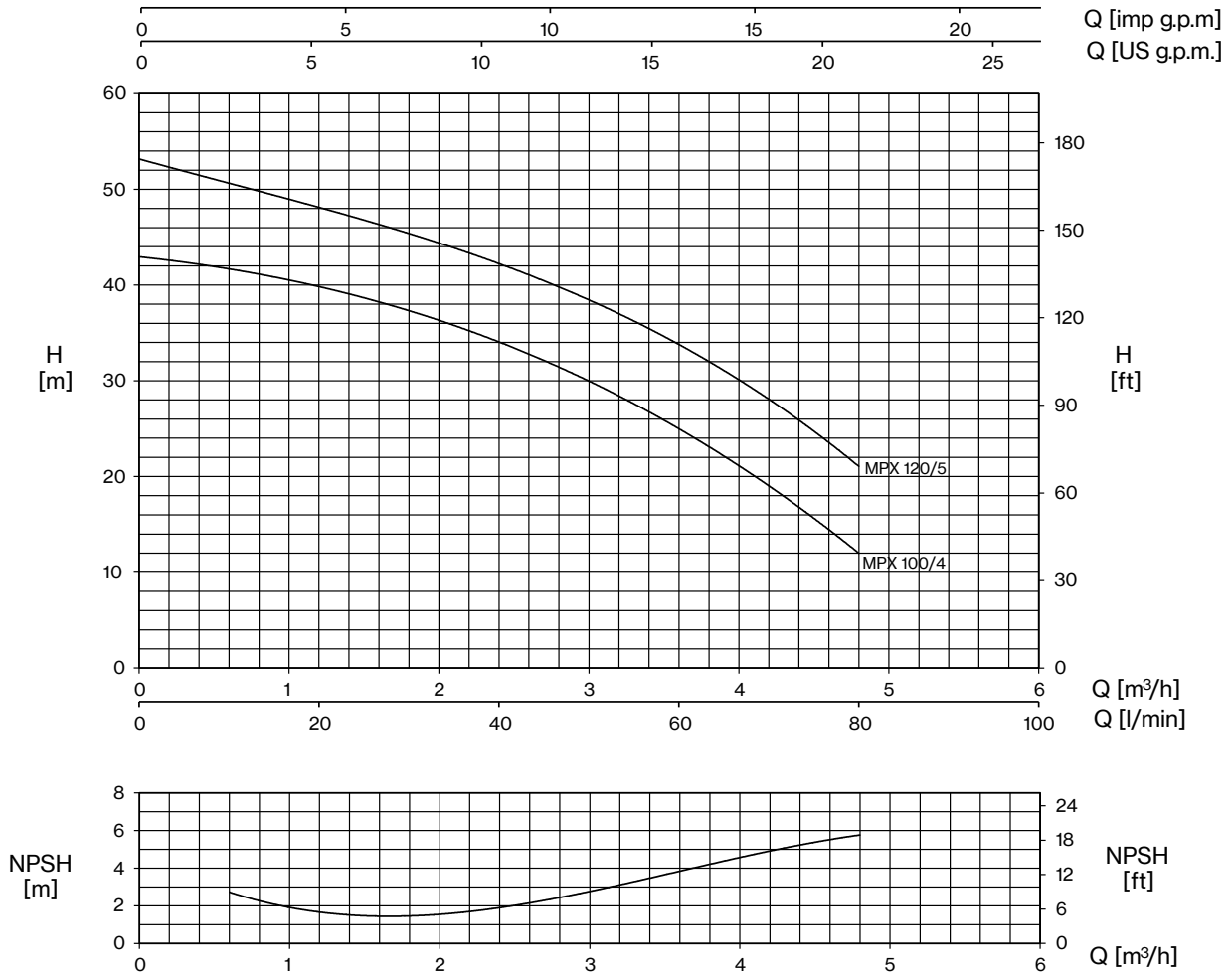
Construction features	
<b>Pump body</b>	stainless steel AISI 304
<b>Motor bracket</b>	aluminum
<b>Impeller</b>	Noryl®
<b>Mechanical seal</b>	ceramic-graphite-NBR
<b>Pump shaft</b>	stainless steel AISI 416
<b>Liquid temperature</b>	0 - 50 °C
<b>Operating pressure</b>	max 8 bar

Motor	
	3~ 230/400V-50Hz
<b>2 poles induction motor</b>	1~ 230V-50Hz (with thermal protection)
<b>Insulation class</b>	F
<b>Protection degree</b>	IPX4

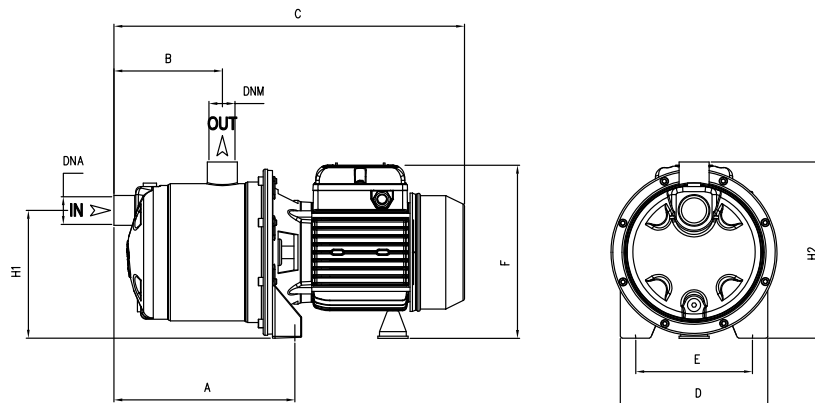
TYPE	LOTS			
	TRUCK		CONTAINER	
	PALLET (cm)	N° pumps	PALLET (cm)	N° pumps
MPX	85×110×170	60	85×110×190	80



# MPX



TYPE		P2		P1 (kW)		AMPERE		Q (m³/h - l/min)					
1~	3~	HP	kW	1~	3~	1~ 1x230 V 50 Hz	3~ 3x400 V 50 Hz	0	0,6	1,2	2,4	3,6	4,8
								0	10	20	40	60	80
								H (m)					
MPX 100/4	MPXT 100/4	1	0,74	1,07	1,1	5,0	1,9	43,0	41,5	40,0	34,0	25,0	12,0
MPX 120/5	MPXT 120/5	1,2	0,88	1,27	1,33	6,1	2,3	53,0	51,0	48,0	42,0	34,0	21,0



TYPE	DIMENSIONS (mm)													Kg
	A	B	C	D	E	F	H1	H2	DNA	DNM	I	L	M	
MPX 100/4	208	128	410	175	140	215	153	210			430	210	235	11
MPX 120/5	208	128	410	175	140	215	153	210	1" G	1" G	430	210	235	11,5



# MPX (Garden version)

Portable electropumps complete with handle, cable with plug and switch.  
The performances depend on adopted pump type.

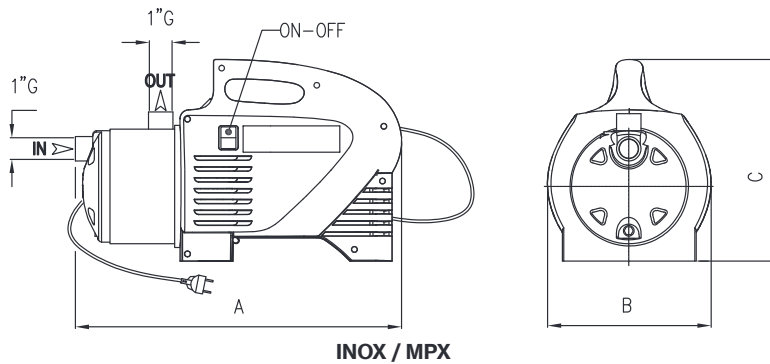
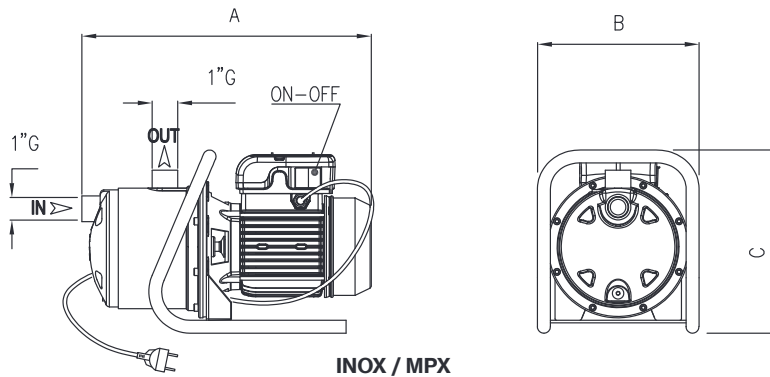


MPX



MPX BOX

TYPE	P2		P1 (kW)	Pipe		Performance	
	HP	kW		1"	1"	Q (l/min)	H (m)
MPX 100/4	1	0,74	1,07	1	1	10,0-80,0	41,5-12,0
MPX 120/5	1,2	0,88	1,27	1	1	10,0-80,0	51,0-21,0



TYPE	DIMENSIONS (mm)		
	A	B	C
MPX 100/4	410	175	285
MPX 120/5	410	175	285
MPX 100/4 BOX	429	209	287