

PROLAC HCP WFI

Centrifugal Pump



APPLICATION

Higher standards are required in the pharmaceutical industry than in the food industry to pumping products like purified water (PW), water for injection (WFI), etc.

DESIGN AND FEATURES

Using the HCP centrifugal pumps as a base, we have designed the HCP-WFI model, which adds the most popular options in pharmaceutical applications to the PROLAC HCP pump.

HCP pumps are sanitary grade centrifugal pumps designed in accordance with EHEDG recommendations. The HCP can easily be cleaned by using chemical products (CIP) and suitable for steam sterilisation (SIP).

Supplements to the basic configuration of a PROLAC HCP pump:

- The discharge port orientated to 45° to evacuate air bubbles that could remain in the upper part of the pump housing.
- Surface finish of the parts in contact with the product: Ra<0.5 µm.
- Simple mechanical seal: TuC/SiC.
- FDA and USP Class VI certified EPDM O-rings.
- 1/2" CLAMP drain port in the pump housing.
- CLAMP OD connections.
- Materials certificate 3.1 (according to EN10204).
- Gasket certificate 2.1 (according to EN10204).
- Roughness certificate.

Sanitary grade mechanical seal, according to EHEDG standards, with hard faces avoids the possibility of dust traces contaminating the product being pumped.

AVAILABLE OPTIONS

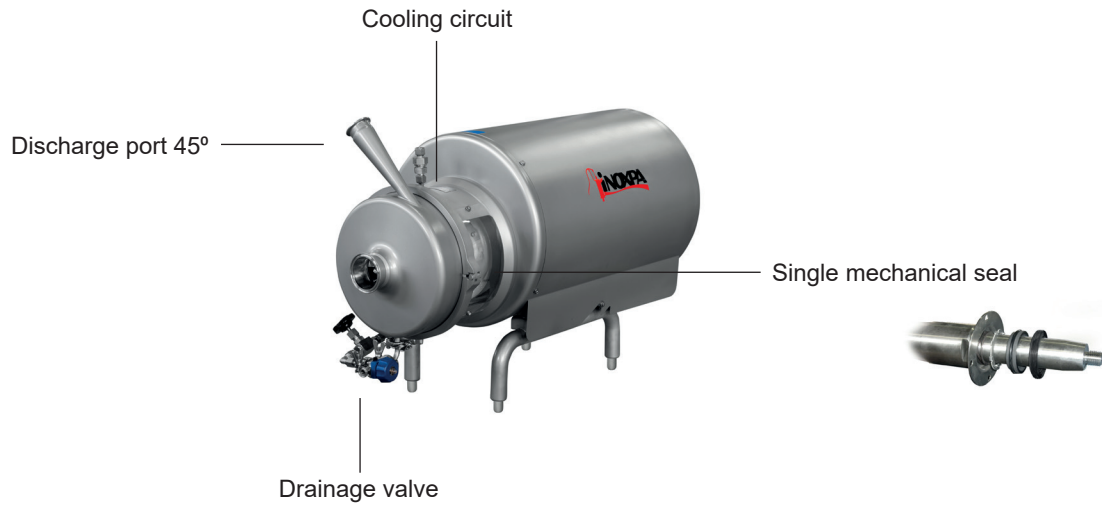
Vertical discharge port (0°).

Double seal and cooling circuit with the liquid being pumped, with the possibility of adding different accessories (pipework, check valve, diaphragm valve, etc.).

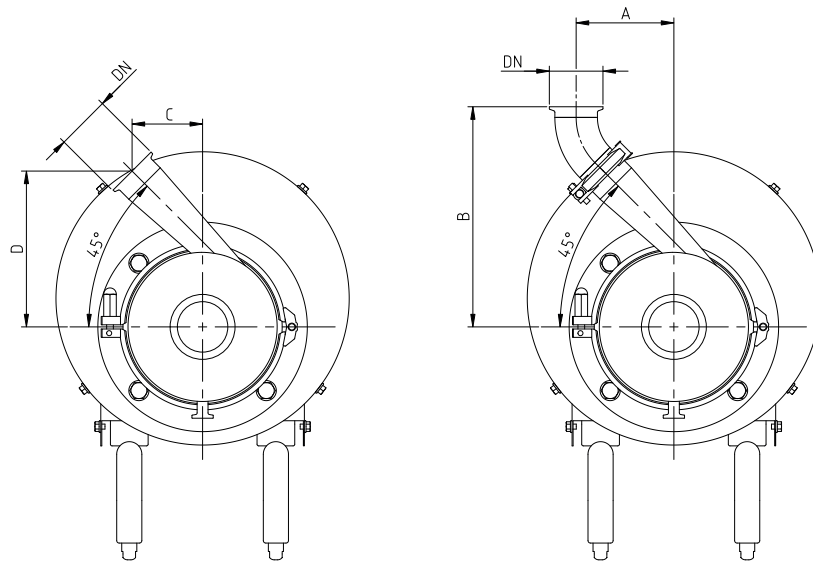
Drainage valve with various possible configurations (manual or automatic diaphragm valve, stainless steel or plastic bonnet etc.).

Hydraulic test certificate with guarantee.

Electro-polished finish.



DIMENSIONS



01.030.32.0028

	DN	A	B	C	D
HCP 40-110	1½"	91	203	64	139
HCP 40-150	1½"	82	226	55	163
HCP 40-205	1½"	84	274	57	211
HCP 50-150	2"	117	263	84	186
HCP 50-190	2"	122	314	89	238
HCP 50-260	2"	119	373	87	296
HCP 65-175	2½"	130	321	92	231
HCP 65-215	2½"	143	365	105	275
HCP 65-250	2½"	154	410	116	320
HCP 80-175	3"	131	319	87	216
HCP 80-205	3"	140	360	96	256
HCP 80-240	3"	161	416	117	313