

Volumetric pump with liquid ring impeller that gives considerable suction power to the pump. Particularly suitable for liquid transfer (including volatile liquids). The model has a frontal brass closing thus avoiding the risk of blockage.

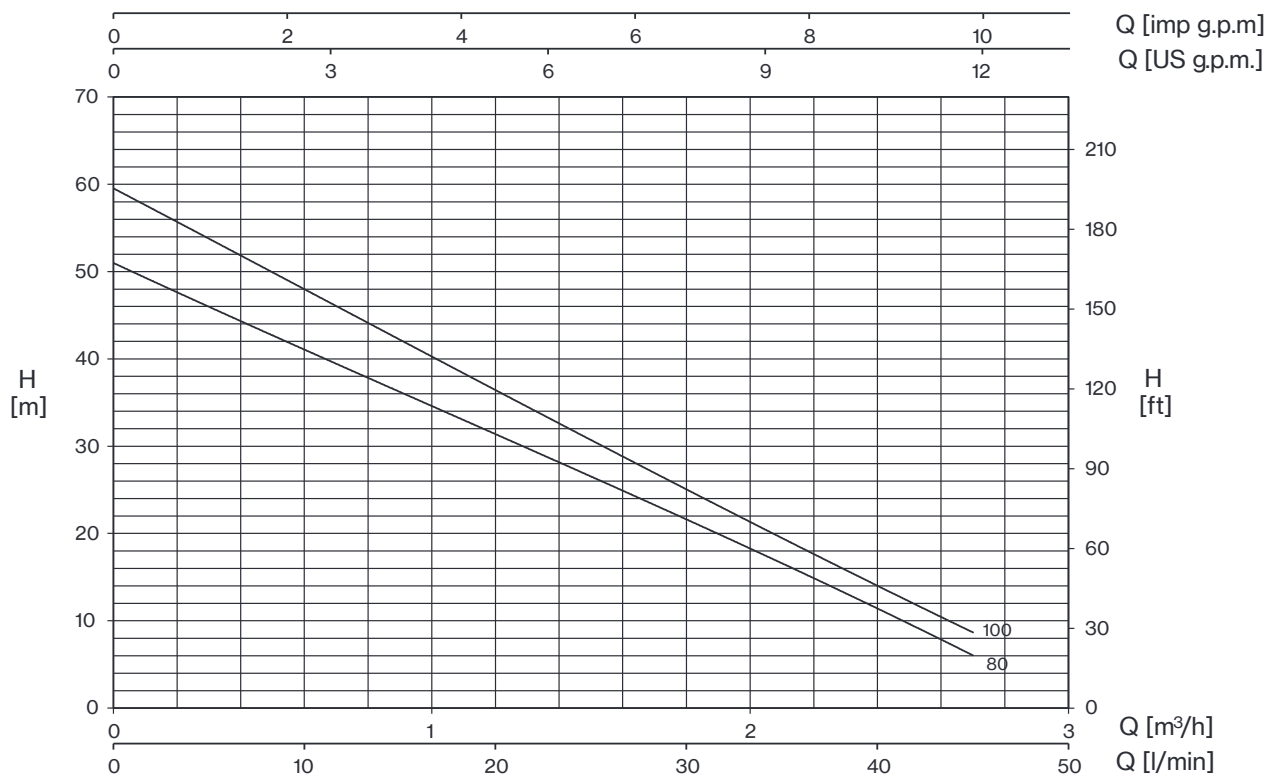
Construction features	
<b>Pump body</b>	cast iron and brass
<b>Motor bracket</b>	cast iron
<b>Impeller</b>	brass
<b>Mechanical seal</b>	ceramic-graphite-NBR
<b>Motor shaft</b>	stainless steel AISI 416
<b>Liquid temperature</b>	0 - 90 °C
<b>Operating pressure</b>	max 8 bar

Motor	
	3- 230/400V-50Hz
<b>2 Poles induction motor</b>	1- 230V-50Hz (with thermal protection)
<b>Insulation class</b>	F
<b>Protection degree</b>	IPX4

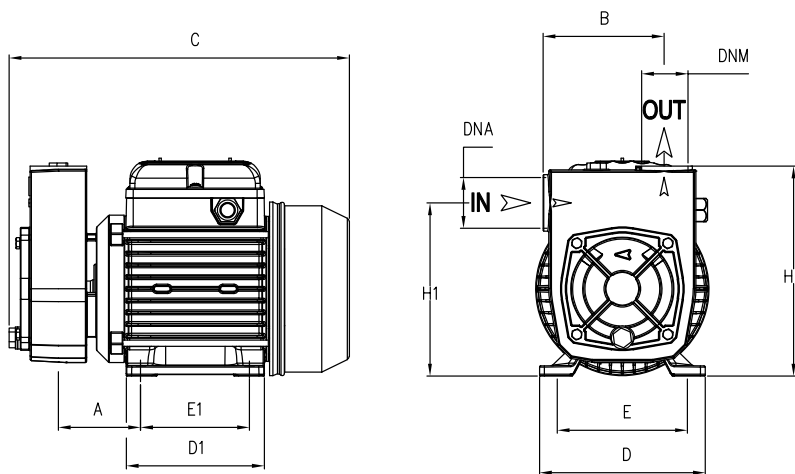
TYPE	LOTS			
	TRUCK		CONTAINER	
	PALLET (cm)	N° pumps	PALLET (cm)	N° pumps
<b>PC 80-100</b>	85×110×170	105	85×110×190 80×120×170	135 136



# PC



TYPE		P2		P1 (kW)		AMPERE		Q (m³/h - l/min)					
1~	3~	HP	kW	1~	3~	1x230 V 50 Hz	3x400 V 50 Hz	0,3	0,6	1,2	1,8	2,4	2,7
								5	10	20	30	40	45
		H (m)											
PC 80	PC 80 T	0,8	0,59	1,03	0,94	5,0	1,7	46,0	41,0	31,5	21,5	11,5	6,0
PC 100	PC 100 T	1,0	0,74	1,17	0,98	5,4	2,1	53,0	48,0	37,0	25,0	13,5	9,0



TYPE	DIMENSIONS (mm)														
	A	B	C	D	D1	E	E1	H1	H2	DNA	DNM	I	L	M	
PC 80	70	98,5	270	135	112	112	89	141	170	1" G	1" G	310	185	195	11,1
PC 100	70	98,5	270	135	112	112	89	141	170	1" G	1" G	310	185	195	11,8