
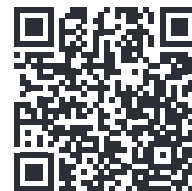


Drainage pump with open impeller characterized by head in ratio to the type and size of the machine. The grinder allows to pumps sewage containing textile or filamentous fibres have to be crushed.

Construction features	
Pump body	cast iron
Shell, motor cover	stainless steel
Impeller	brass
Mechanical seal	double seal with oil barrier; silicon carbide on pump side, sealing ring on motor side
Motor shaft	stainless steel AISI 430
 Grinder	treated stainless steel
Max submergence	max 5 m
Liquid temperature	0 - 40 °C
Cable	H07 RNF, 10 m
G	float switch

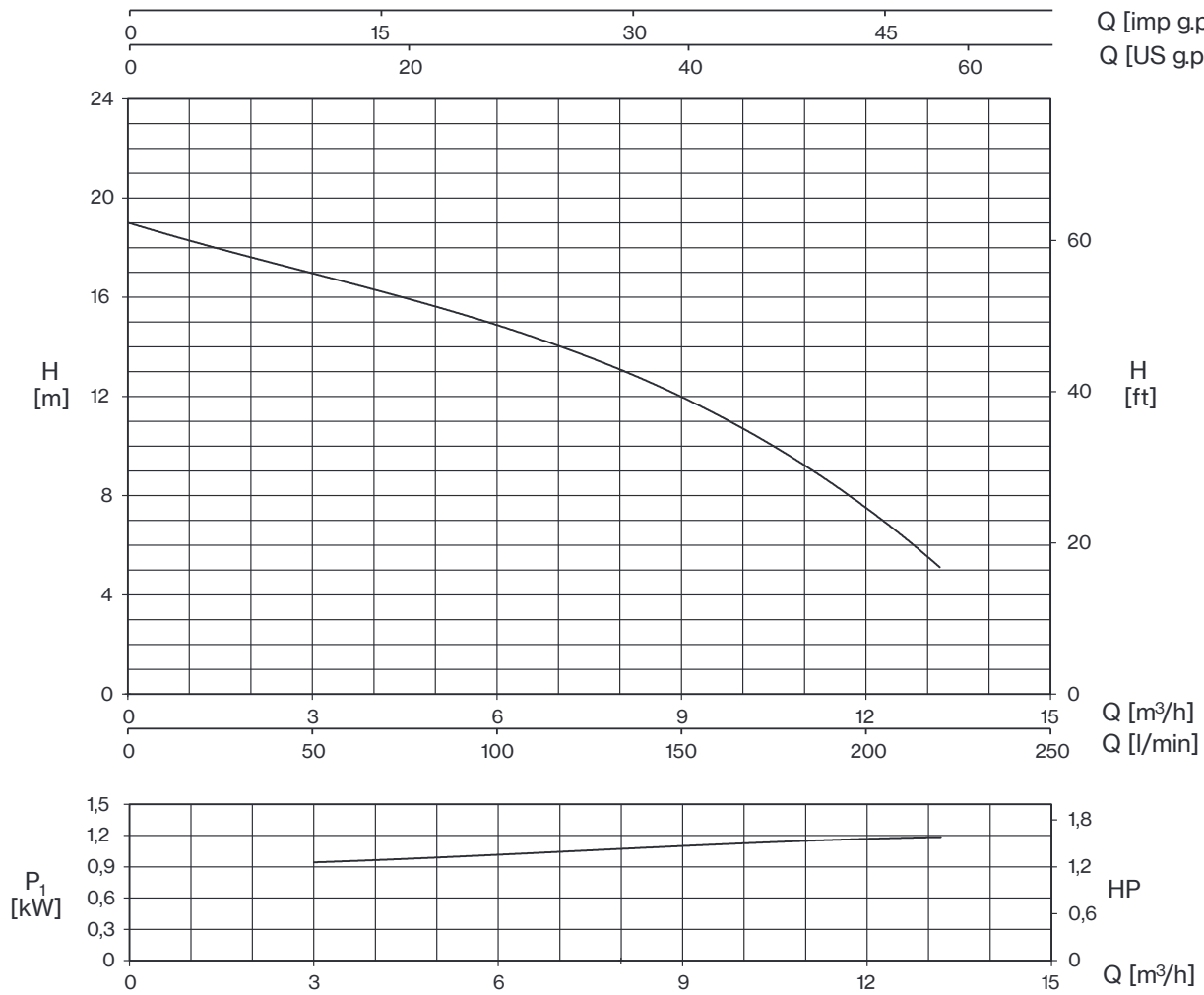
Motor	
2 Poles induction motor	3~ 400V-50Hz 1~ 230V-50Hz (with thermal protection)
Insulation class	F
Protection degree	IPX8



DTR 101

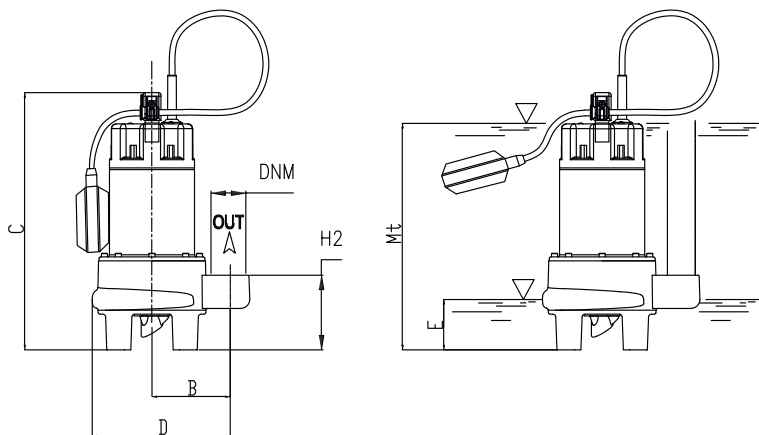
Q [imp g.p.m.]

Q [US g.p.m.]



TYPE		W	AMPERE		Q (m³/h - l/min)					
1~	3~		1~ 1x230 V 50 Hz	3~ 3x400 V 50 Hz	0	3	6	9	12	13,2
					0	50	100	150	200	220
					H (m)					
DTR 101 (G)	DTRT 101	1200	5,3	2,2	19,0	17,1	14,8	11,9	7,8	4,9

E: maximum emptying level
Mt: minimum liquid level for continuous duty



TYPE	DIMENSIONS (mm)										Kg
	B	C	D	E	H2	Mt	DNM	I	L	M	
DTR 101	105	359	218,5	70	104,5	313	1" 1/2 G	260	185	450	16,5

